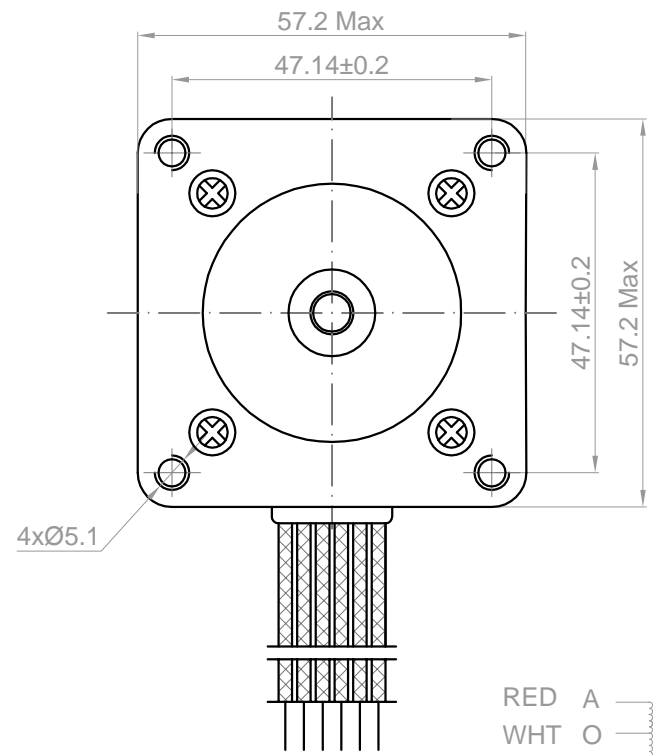
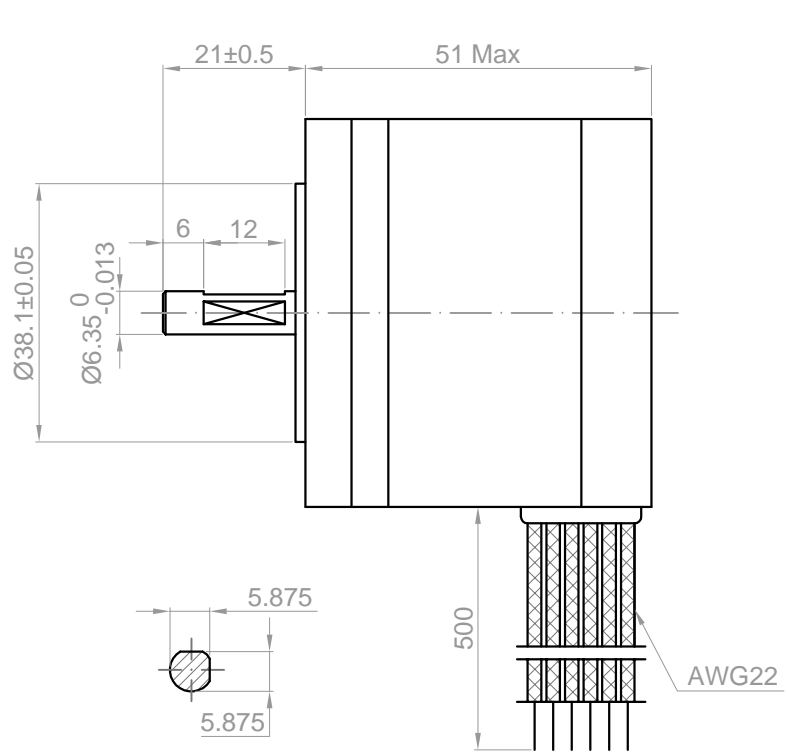


Rev.	Description	Date
01	Release for Production	08/20/2012



NO.	Item	Specification	NO.	Item	Specification
1	Step Angle	1.8°±5%	7	Holding Torque	5.0 Kg.cm Max
2	Rated Voltage	4.03 V	8	Insulation Class	B
3	Current Per Phase	1.3 A	9	Insulation Resistance	100MΩ <500V DC>
4	Resistance Per Phase	3.1 Ω	10	Rotor Inertia	118 g.cm ²
5	Inductance Per Phase	4.0 mH			
6	Number of Phase	4			

Drawn	Feny	08/20/2012	Kysan Electronics www.kysanelectronics.com info@kysanelectronics.com		
Checked	Sara	08/20/2012			
Eng Appr.					
Mfg Appr.					
Q.A.					
SKU	1125002		Size : A4	Weight(Kg): 0.6	Unit: mm
			Scale: 2:1		Sheet 1 of 1