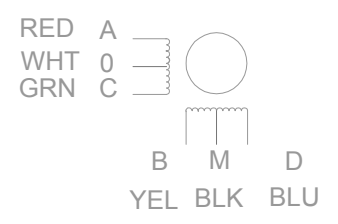
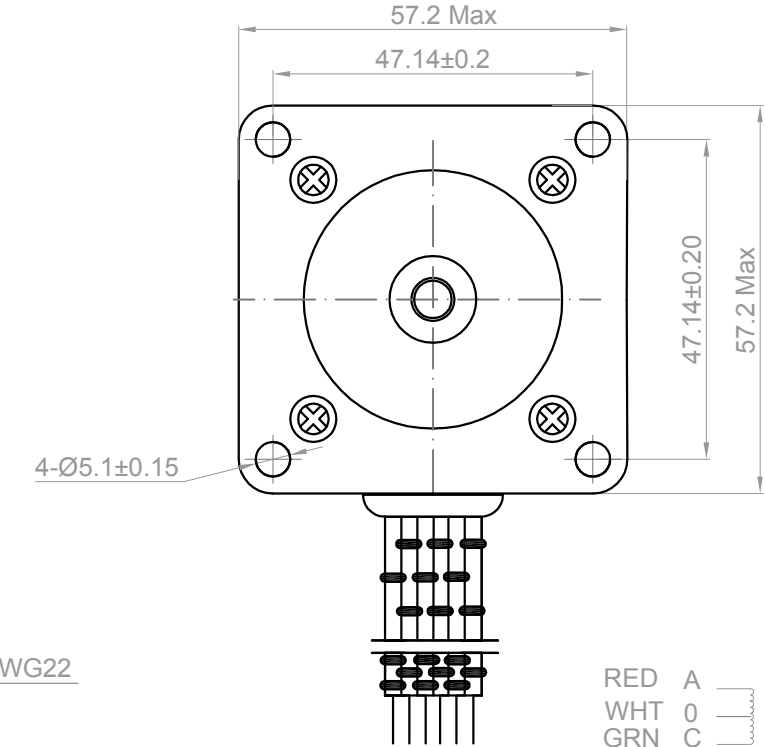
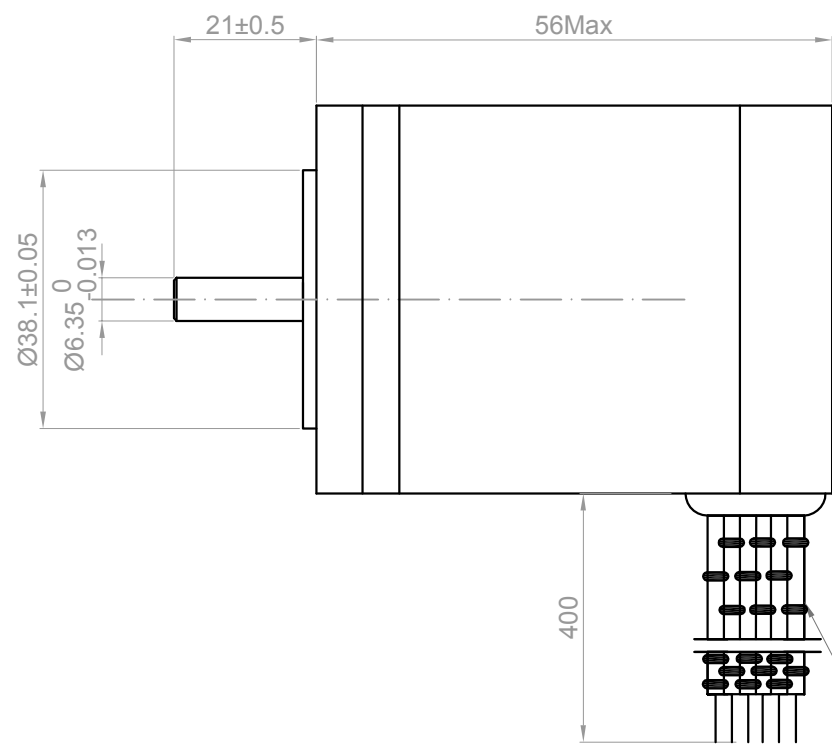


| Rev. | Description            | Date       |
|------|------------------------|------------|
| 01   | Release for Production | 06/24/2013 |



| NO. | Item                 | Specification | NO. | Item                  | Specification   |
|-----|----------------------|---------------|-----|-----------------------|-----------------|
| 1   | Step Angle           | 1.8°±5%       | 7   | Holding Torque        | 6.2Kg.cm        |
| 2   | Rated Voltage        | 2.4 V         | 8   | Insulation Class      | B               |
| 3   | Current Per Phase    | 2.4A          | 9   | Insulation Resistance | 100 mΩ<500V DC> |
| 4   | Resistance Per Phase | 1.0±10% Ω     |     |                       |                 |
| 5   | Inductance Per Phase | 1.6±20% mH    |     |                       |                 |
| 6   | Number of Phase      | 4             |     |                       |                 |

|           |                |            |  |                  |             |
|-----------|----------------|------------|--|------------------|-------------|
| Drawn     | Gimy           | 06/24/2013 | <b>Kysan Electronics</b><br>www.kysanelectronics.com |                  |             |
| Checked   | Sara           | 06/24/2013 |  |                  |             |
| Eng Appr. |                |            |  |                  |             |
| Mfg Appr. |                |            |  |                  |             |
| Q.A.      |                |            | info@kysanelectronics.com                            |                  |             |
| SKU       | <b>1125003</b> |            | Size : A4  | Weight(Kg): 0.65 | Unit: mm    |
|           |                |            | Scale: 2:1   |                  | Sheet 1of 1 |