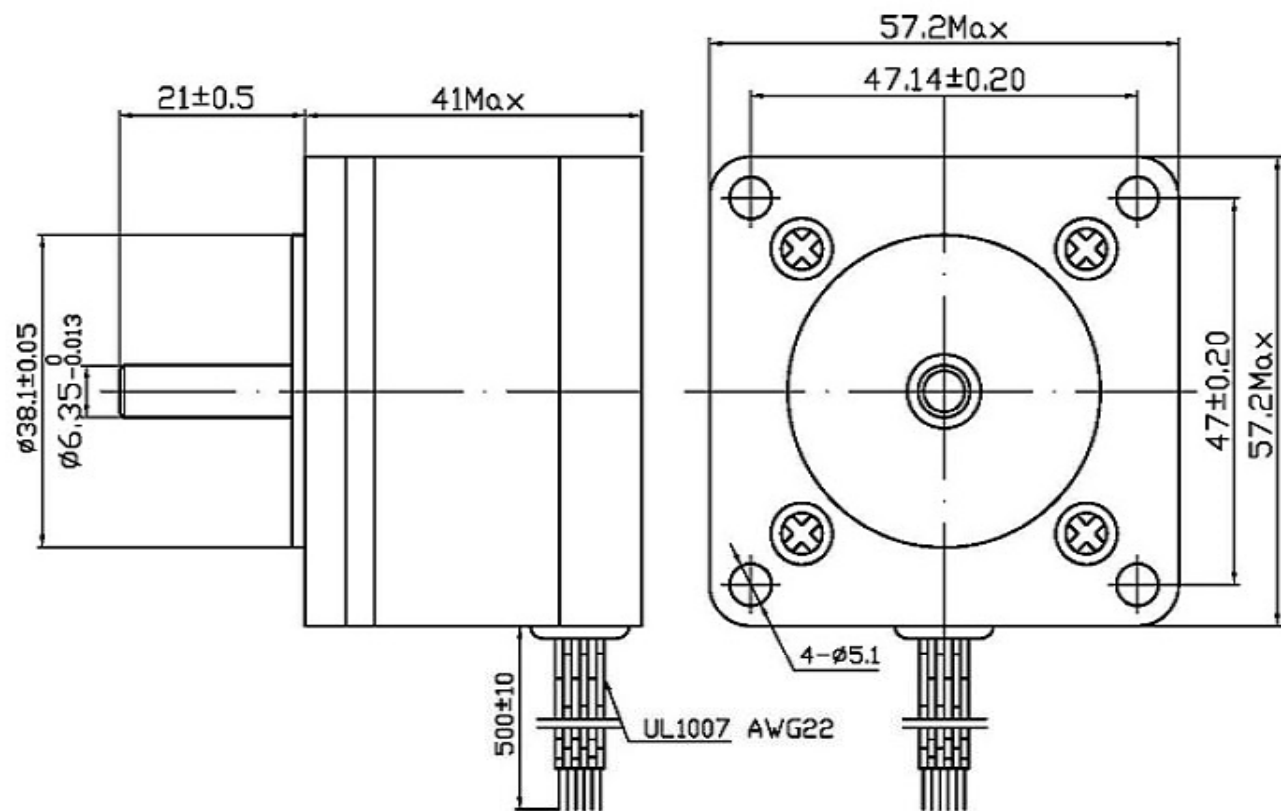
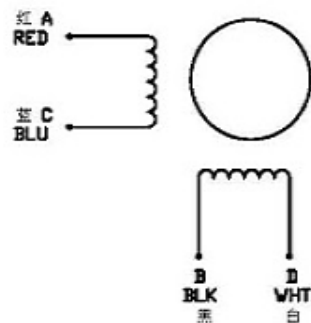


接线图  
Wiring Diagram



规格 SPECIFICATIONS

1	相数 Number of Phase	2
2	步距角 Step Angle	1.8° ±5%
3	保持力矩 Holding Torque	3.4 kg·cm
4	电压 Voltage	6.0 VDC
5	电流 Current	0.5 A
6	相电阻 Phase Resistance (20°C)	12±10%Ω
7	相电感 Phase Inductance (1KHz)	24±20% mH
8	转子惯量 Rotor Inertia	70 g·cm <sup>2</sup>
9	绝缘电阻 Insulation Resistance	100MΩ 500VDC
10	绝缘等级 Insulation Class	B (130°C)
11	环境温度 Ambient Temperature	-20°C to 50°C
12	环境湿度 Ambient Humidity	15% to 95%
13	电机重量 Motor Weight	Approx 0.54kg
14		

励磁顺序 (2相励磁)

EXITING SEQUENCE (2 PHASE)

STEP	A	B	$\bar{A}$	$\bar{B}$	CCW
1	+	+	-	-	↑
2	-	+	+	-	
3	-	-	+	+	
4	+	-	-	+	

CW ↓

Drawn	Bruce	03/01/2021	<b>Kysan Electronics</b> www.kysanelectronics.com Email: info@kysanelectronics.com	
Checked				
Eng Appr.				
Mfg Appr.				
Q. A.				
SKU:	1125004		Size: A4	Unit: mm
			Scale: 1:1	Sheet: 1 of 1