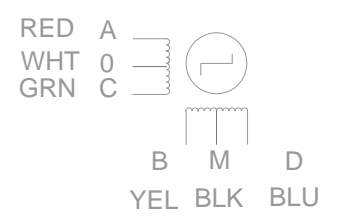
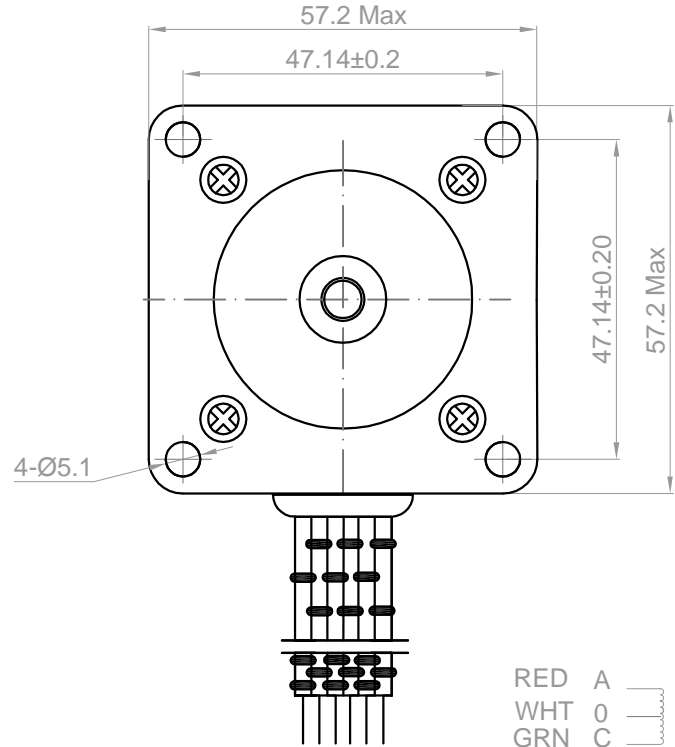
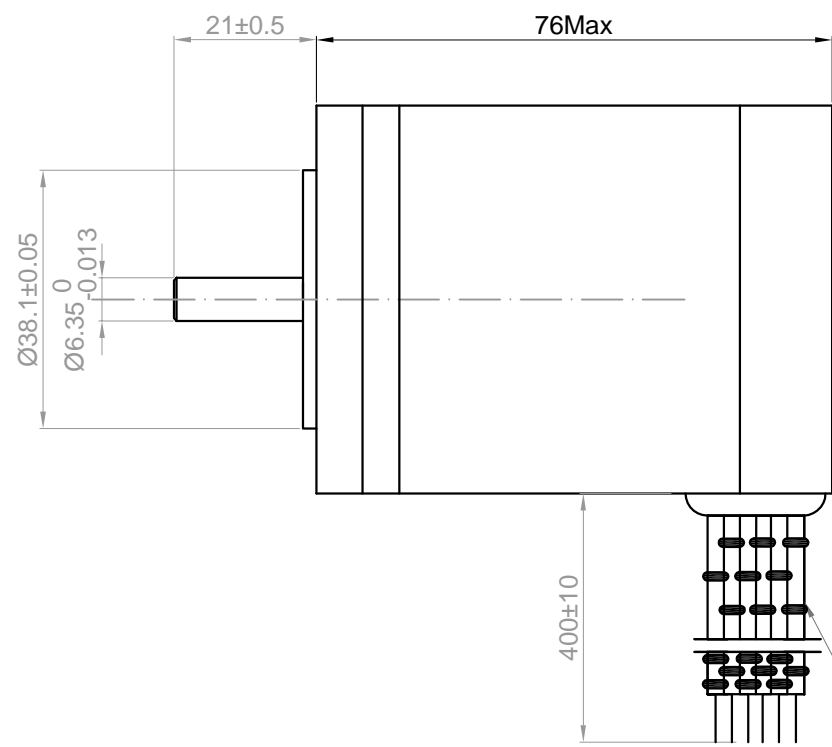


Rev.	Description	Date
01	Release for Production	09/04/2012



NO.	Item	Specification	NO.	Item	Specification
1	Step Angle	1.8°±5%	7	Holding Torque	9 Kgf.cm
2	Rated Voltage	5.4 V	8	Insulation Class	B
3	Current Per Phase	1.5 A	9	Insulation Resistance	100 mΩ<500V DC>
4	Resistance Per Phase	3.6 Ω	10	Rotor Inertia	145 g.cm <sup>2</sup>
5	Inductance Per Phase	6.0 mH			
6	Number of Phase	4			

Drawn	Harry	09/04/2012	<b>Kysan Electronics</b> www.kysanelectronics.com		
Checked	Sara	09/04/2012			
Eng Appr.					
Mfg Appr.					
Q.A.			info@kysanelectronics.com		
SKU	<b>1125005</b>		Size : A4	Weight(Kg): 0.65	Unit: mm
			Scale: 2:1		Sheet 1of 1