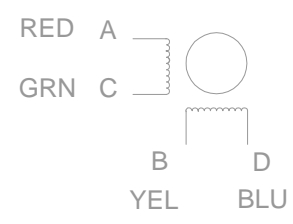
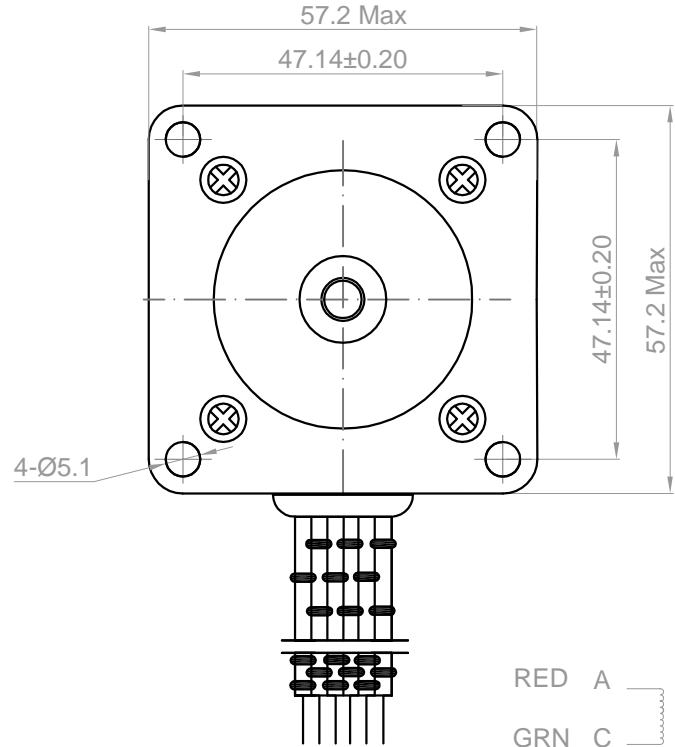
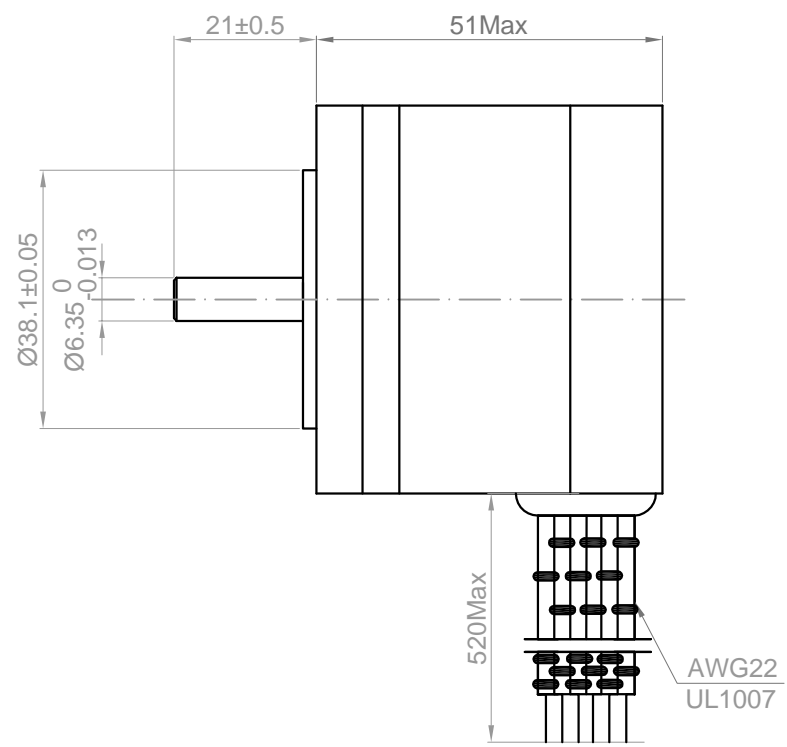


Rev.	Description	Date
01	Release for Production	06/26/2013



NO.	Item	Specification	NO.	Item	Specification
1	Step Angle	1.8°±5%	7	Holding Torque	549 mNm
2	Rated Voltage	4.6 V	8	Insulation Class	Class B
3	Current Per Phase	1.0 A	9	Insulation Resistance	100 mΩ<500V DC>
4	Resistance Per Phase	4.6Ω ±10%	10	NO. of Wires	10
5	Inductance Per Phase	12 mH ±20%			
6	Number of Phase	2			

Drawn	Gimy	06/26/2013	<b>Kysan Electronics</b> www.kysanelectronics.com info@kysanelectronics.com		
Checked	Sara	06/26/2013			
Eng Appr.					
Mfg Appr.					
Q.A.					
SKU	1125010		Size : A4	Weight(Kg): 0.6	Unit: mm
			Scale: 2:1		Sheet 1of 1