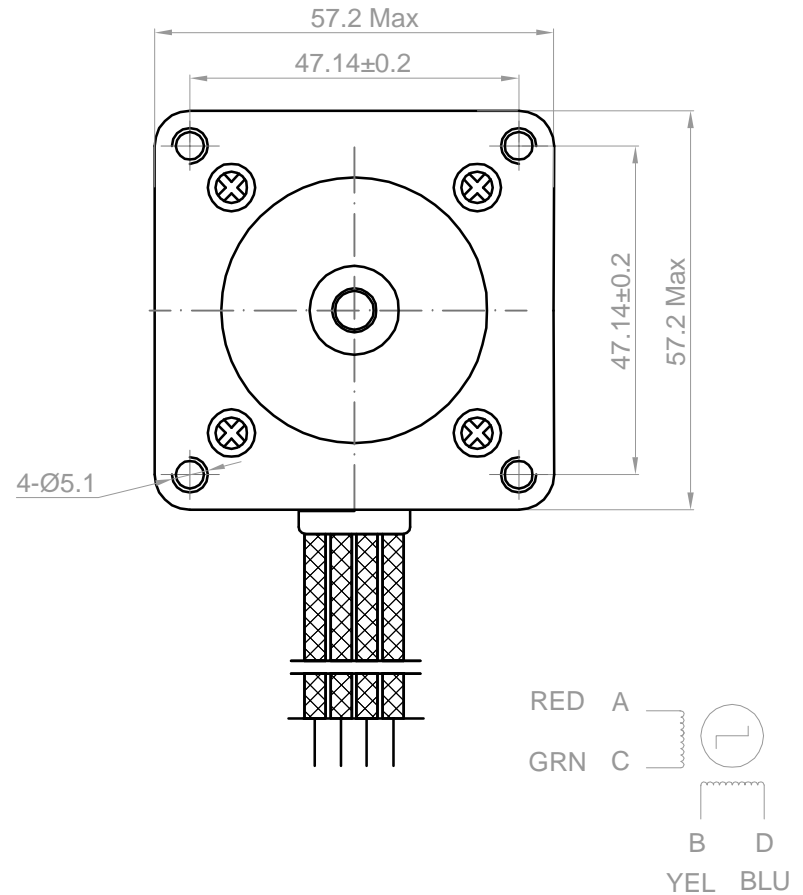
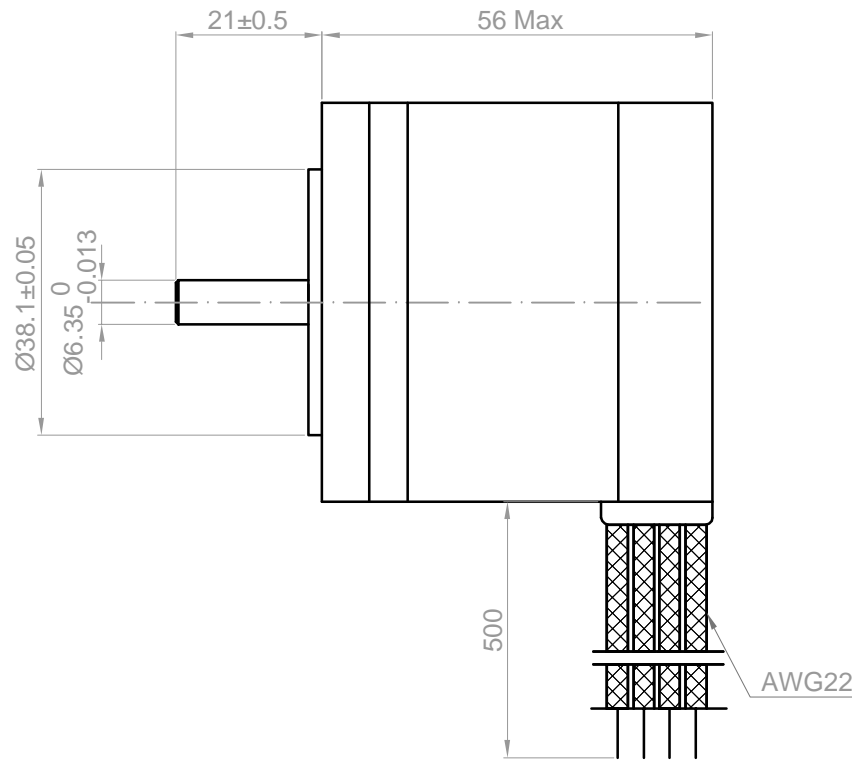


Rev.	Description	Date
01	Release for Production	06/21/2012



NO.	Item	Specification	NO.	Item	Specification
1	Step Angle	1.8°±5%	7	Holding Torque	7.2 Kg.cm MAX
2	Rated Voltage	2.8 V	8	Insulation Class	B
3	Current Per Phase	2.0 A	9	Insulation resistance	100m <500V DC>
4	Resistance Per Phase	1.4 ±10%			
5	Inductance Per Phase	4.0 mH ±20%			
6	Number of Phase	2			

Drawn	Feny	06/21/2012	Kysan Electronics www.kysanelectronics.com		
Checked	Sara	06/21/2012			
Eng Appr.					
Mfg Appr.					
Q.A.			info@kysanelectronics.com		
SKU	1125014		Size : A4	Weight(Kg): 0.65	Unit: mm
			Scale: 2:1		Sheet 1 of 1