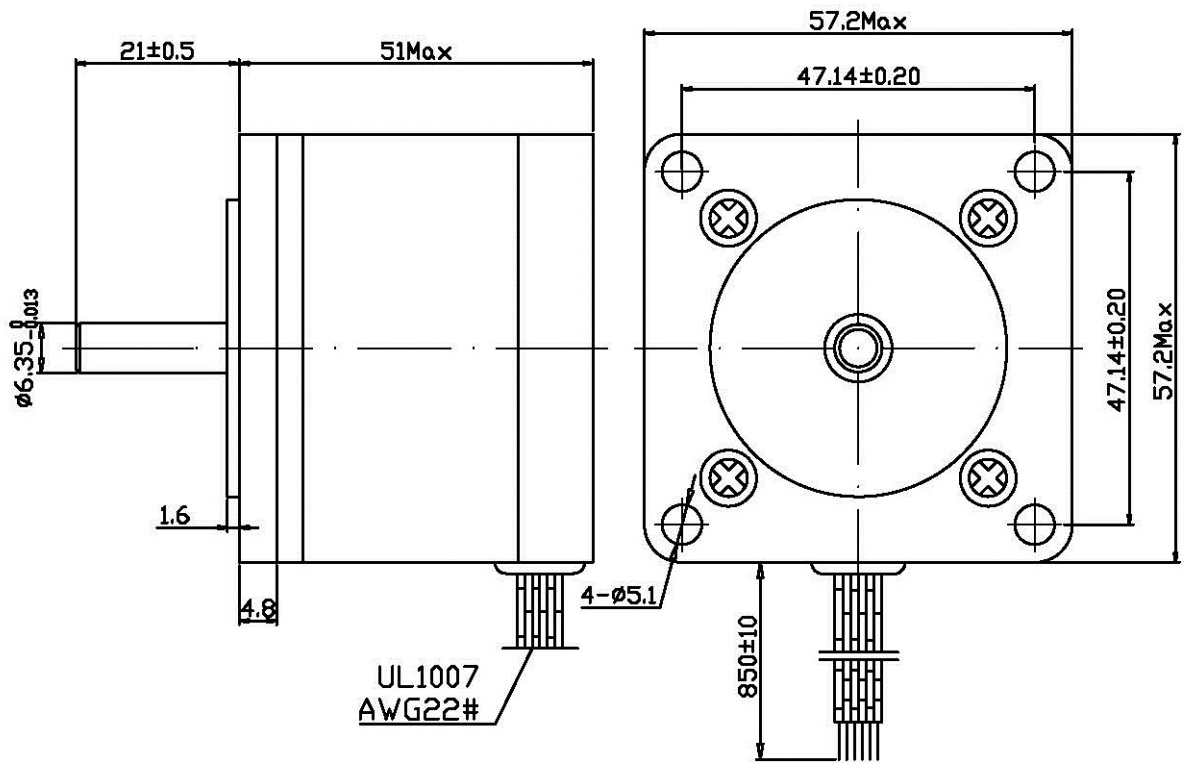
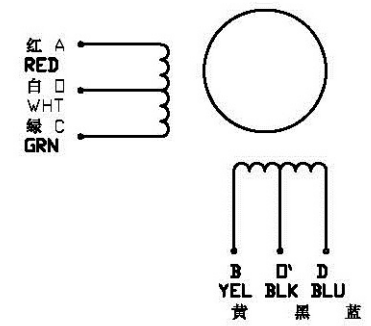


8 7 6 5 4 3 2 1



接线图  
Wiring Diagram



励磁顺序 (2相励磁)  
EXITING SEQUENCE (2 PHASE)

STEP	A	B	$\bar{A}$	$\bar{B}$	
1	+	+	-	-	CCW
2	-	+	+	-	
3	-	-	+	+	
4	+	-	-	+	CW

No.	Item	Specification	No.	Item	Specification
1	Number of Phase	4	7	Phase Inductance	8±20% $\mu$ H
2	Step Angle	1.8°±5%	8	Insulation Resistance	100M $\Omega$ 500VDC
3	Holding Torque	5.2kg.cm			
4	Voltage	5.2V DC			
5	Current	1.0A			
6	Phase Resistance	5.2±10% $\Omega$			

Drawn	Bruce	10/11/2023	Unit: mm	
Checked	Eva	10/11/2023	Kysan Electronics www.kysanelectronics.com	
Eng Appr.				
Mfg Appr.				
Q.A.				
SKU: 1125015			Size :A4	Weight(Kg):
			Scale :	

8 7 6 5 4 3 2 1