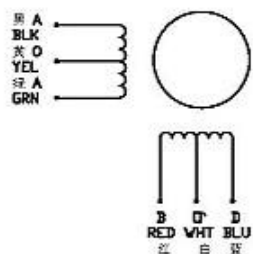


Rev.	Description	Date
01		

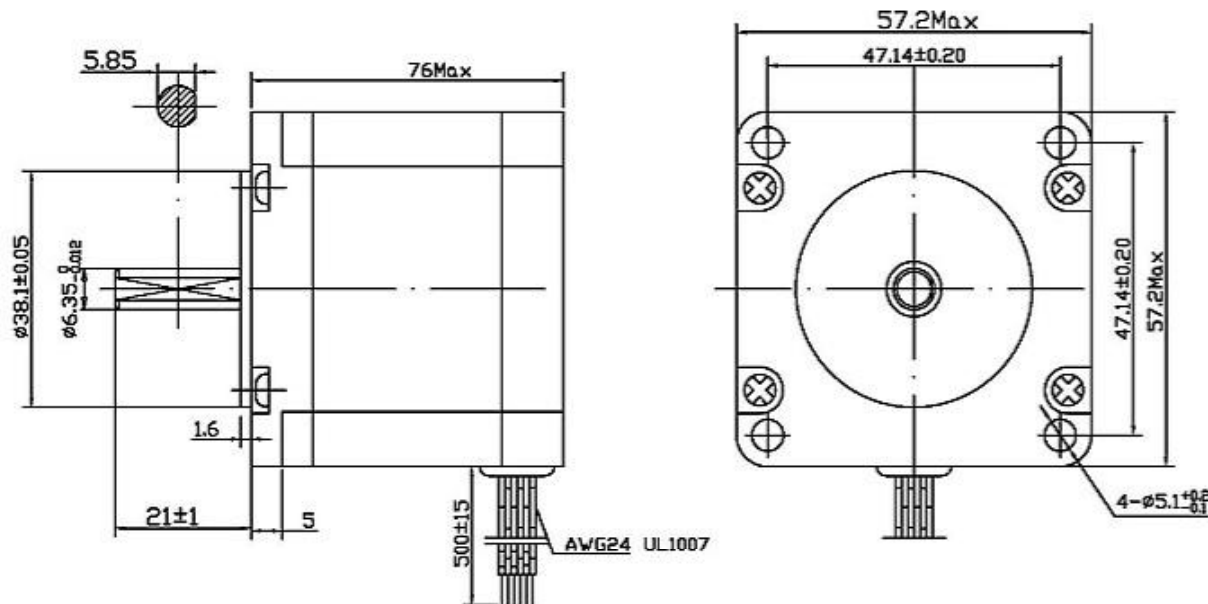
STEPPER MOTOR SPECIFICATION

接线图
Wiring Diagram



规格 SPECIFICATIONS

1	相数 Number of Phase	4
2	步距角 Step Angle	$1.8^{\circ} \pm 5\%$
3	保持力矩 Holding Torque	140 N.cm
4	电压 Voltage	6.3 VDC
5	电流 Current	1.5A
6	相电阻 Phase Resistance (20°C)	$4.2 \pm 10\% \Omega$
7	相电感 Phase Inductance (1KHz)	$9.0 \pm 20\% \text{mH}$
8	转子惯量 Rotor Inertia	$g \cdot \text{cm}^2$
9	绝缘电阻 Insulation Resistance	100M Ω 500VDC
10	绝缘等级 Insulation Class	B (130°C)
11	环境温度 Ambient Temperature	-20°C to 50°C
12	环境湿度 Ambient Humidity	15% to 95%
13	电机重量 Motor Weight	Approx 1.1 kg
14		



Drawn	Bruce	06/15/2022	Unit: mm	
Checked			Kysan Electronics www.kysanelectronics.com info@kysanelectronics.com	
Eng Appr.				
Mfg Appr.				
Q. A.				
SKU:	1126004		Size :A4	Weight (Kg):
			Scale	