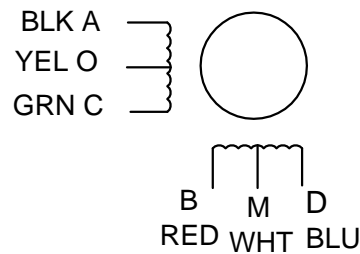
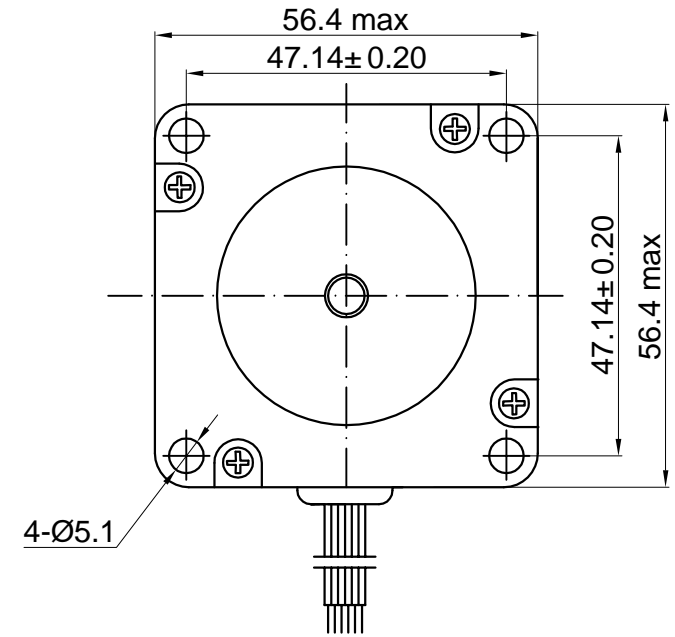
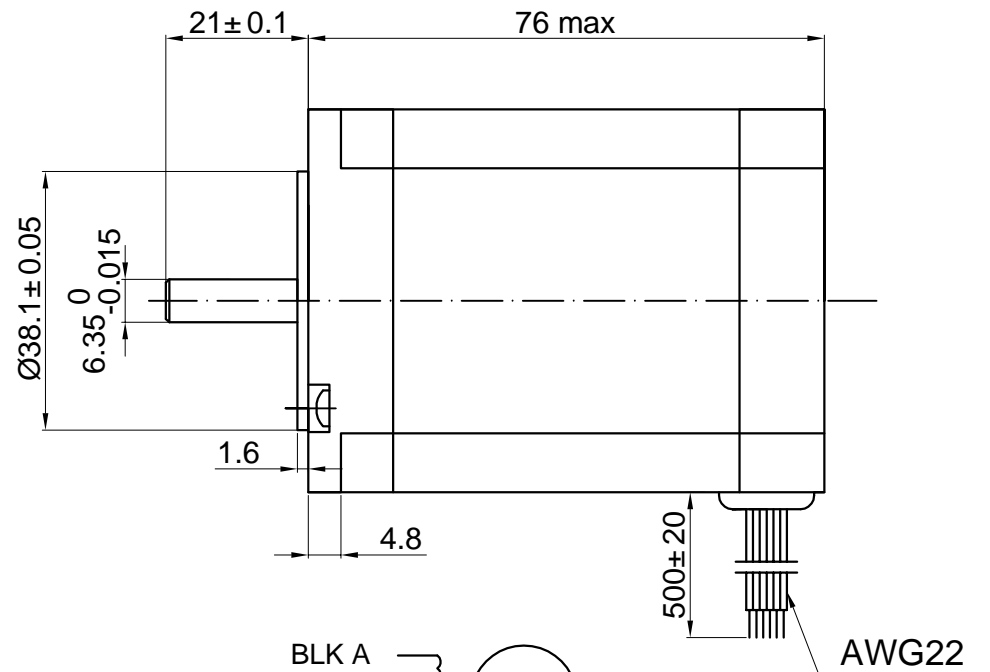


NO.	ITEM	SPECIFICATION
1	Step Angle	1.8° ± 5%
2	Number of Phase	4
3	Insulation Resistance	100MΩmin(500VDC)
4	Insulation Class	Class B
5	Phase Voltage	6.3 V
6	Phase Current	1.5 A
7	Inductance Per Phase	7.8 mH± 20%
8	Resistance Per Phase	4.2 Ω± 10%
9	Holding Torque	14.3 Kg.cm

Rev.	Revision	Date
01	Update	6/30/2011



DRAWN	Amily	6/30/2011	UNIT: mm	
CHECKED	Sara	6/30/2011		
ENG APPR.			Sinotech	
MFG APPR.				
Q.A.				
57BYGH803			SIZE A4	P/N 237631
			SCALE: 2:1	Weight(kg): 1
			REV 01	
			SHEET 1 OF 1	