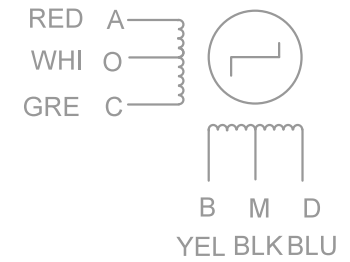
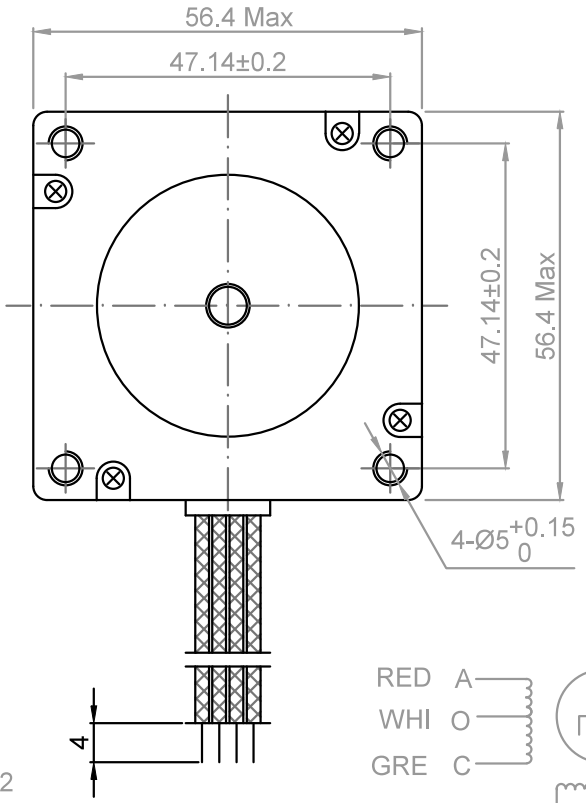
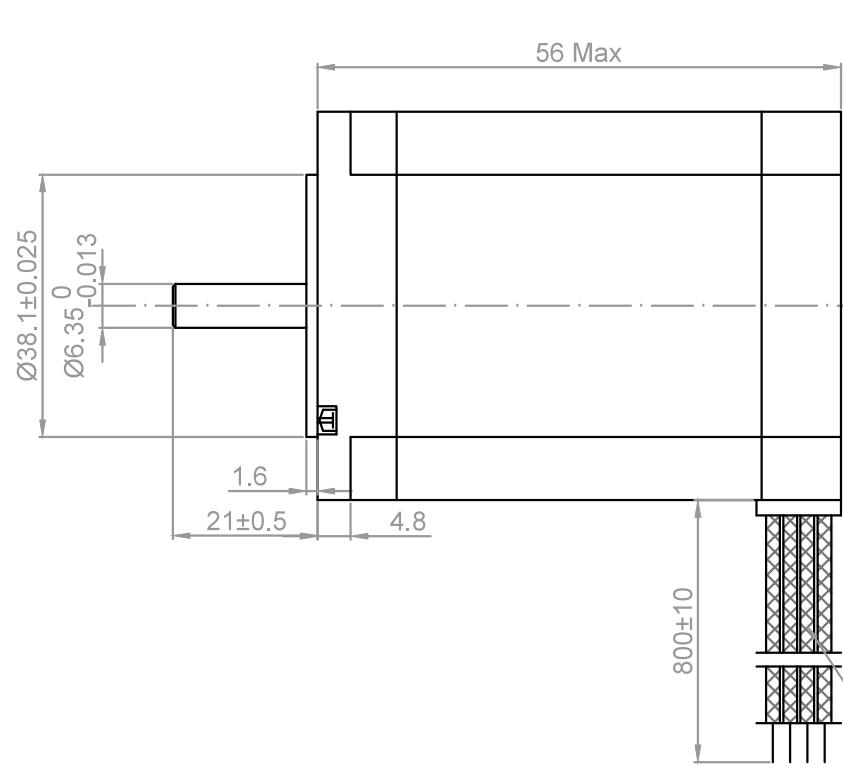


|      |                        |            |
|------|------------------------|------------|
| Rev. | Description            | Date       |
| 01   | Release for Production | 06/27/2012 |



UL1007 AWG22

| NO. | Item                 | Specification | NO. | Item                  | Specification        |
|-----|----------------------|---------------|-----|-----------------------|----------------------|
| 1   | Step Angle           | 1.8°±5%       | 7   | Holding Torque        | 800mN·M              |
| 2   | Rated Voltage        | 12V           | 8   | Insulation Class      | B                    |
| 3   | Rated Current        | 0.4 A         | 9   | Insulation Resistance | 100MΩmin<500V DC>    |
| 4   | Resistance Per Phase | 30 Ω ±10%     | 10  | Rotor Inertia         | 280g·cm <sup>2</sup> |
| 5   | Inductance Per Phase | 40 mH ±20%    | 11  | Detent Torque         | 45 mN·M              |
| 6   | Number of Phase      | 4             |     |                       |                      |

|           |          |            |   |  |  |
|-----------|----------|------------|---|--|--|
| Drawn     | Lawrence | 01/30/2015 | <b>Kysan Electronics</b><br>www.kysanelectronics.com<br>info@kysanelectronics.com |  |  |
| Checked   |          |            |   |  |  |
| Eng Appr. |          |            |   |  |  |
| Mfg Appr. |          |            |   |  |  |
| Q.A.      |          |            | Size : A4<br>Scale: 2:1<br>Weight(Kg): 1.0<br>Unit: mm                            |  |  |
| SKU       | 1126014  |            |   |  |  |