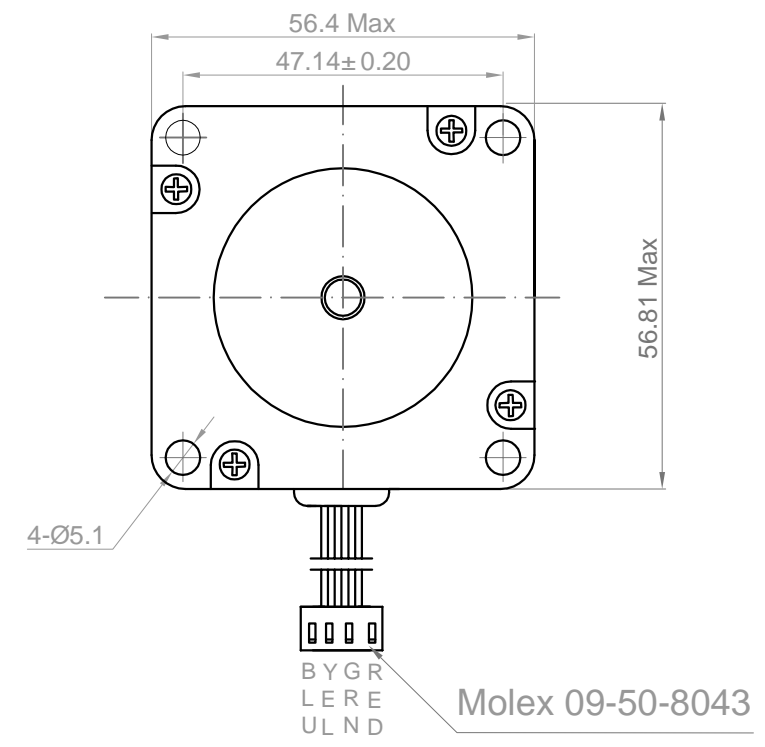
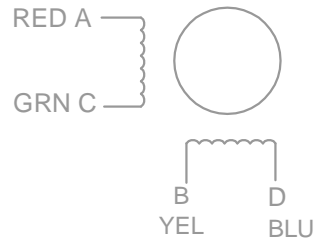
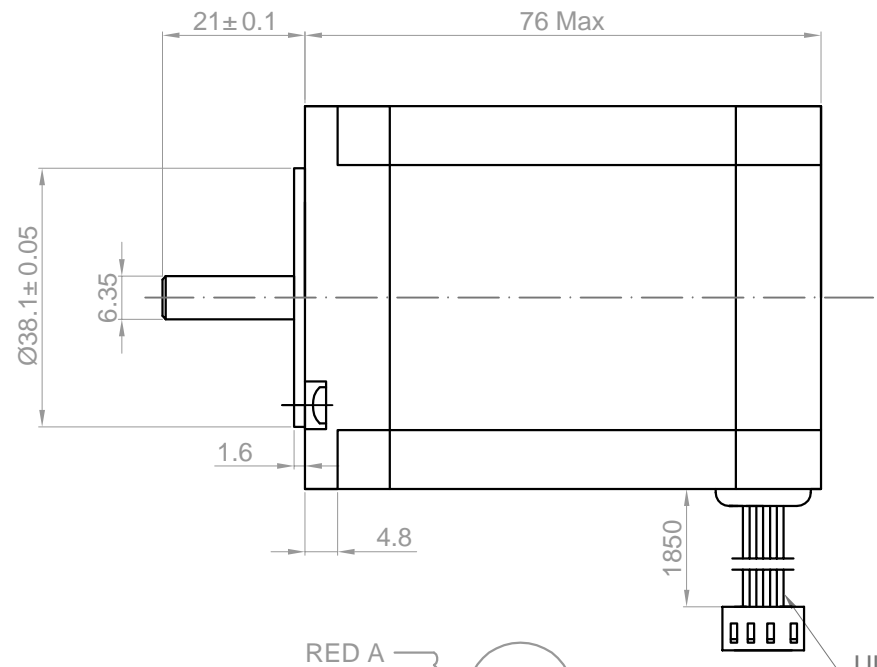


Rev.	Description	Date
01	Release for production	02/09/2012



No.	Item	Specification
1	Rated Voltage	8.6 V/Phase
2	Rated Current	2 A/Phase
3	Resistance Per Phase	4.3 Ω/Phase
4	Inductance Per Phase	16.2 mH/Phase
5	Holding Torque	24 Kg.cm
6	Number of Phase	2

Drawn	Emily	02/09/2012	Unit: mm		
Checked	Sara	02/09/2012	Kysane Electronics www.kysanelectronics.com Email : info@kysanelectronics.com		
Eng Appr.					
Mfg Appr.					
Q.A.					
SKU	1126021		Size :A4	Weight(Kg): 1.2	
			Scale 2:1		