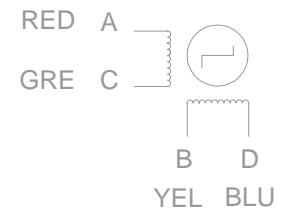
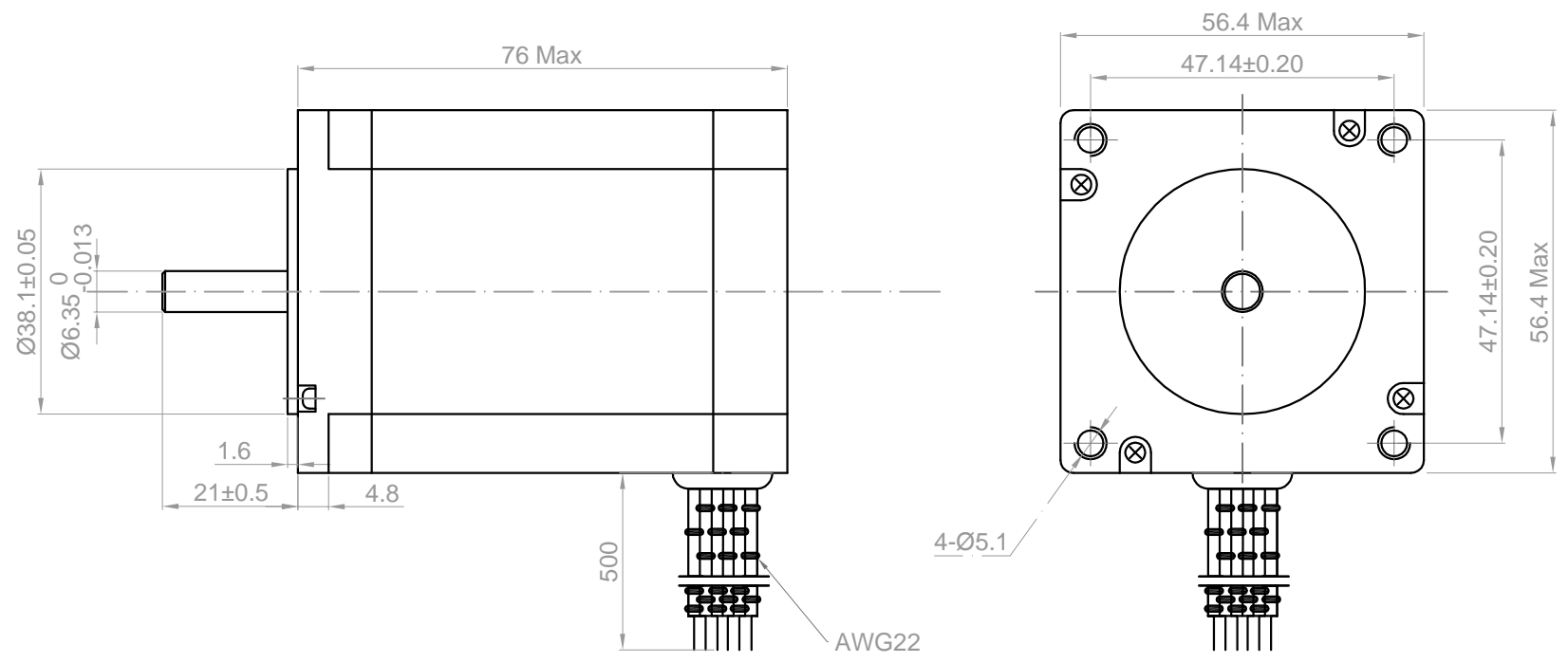


Rev.	Description	Date
01	Release for Production	12/28/2012



NO.	Item	Specification	NO.	Item	Specification
1	Step Angle	1.8°±5%	7	Holding Torque	24.0 Kg.cm
2	Rated Voltage	8.6 V	8	Insulation Class	B
3	Rated Current	2.0 A	9	Insulation Resistance	100MΩmin<500V DC>
4	Resistance Per Phase	4.3 Ω ±10%			
5	Inductance Per Phase	16.2 mH ±20%			
6	Number of Phase	2			

Drawn	Harry	12/28/2012	<b>Kysan Electronics</b> <a href="http://www.kysanelectronics.com">www.kysanelectronics.com</a> <a href="mailto:info@kysanelectronics.com">info@kysanelectronics.com</a>		
Checked	Sara	12/28/2012			
Eng Appr.					
Mfg Appr.					
Q.A.					
SKU	1126025		Size : A4	Weight(Kg): 1.1	Unit: mm
			Scale: 2:1		Sheet 1of 1