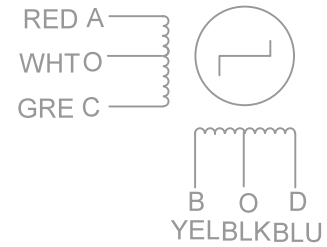
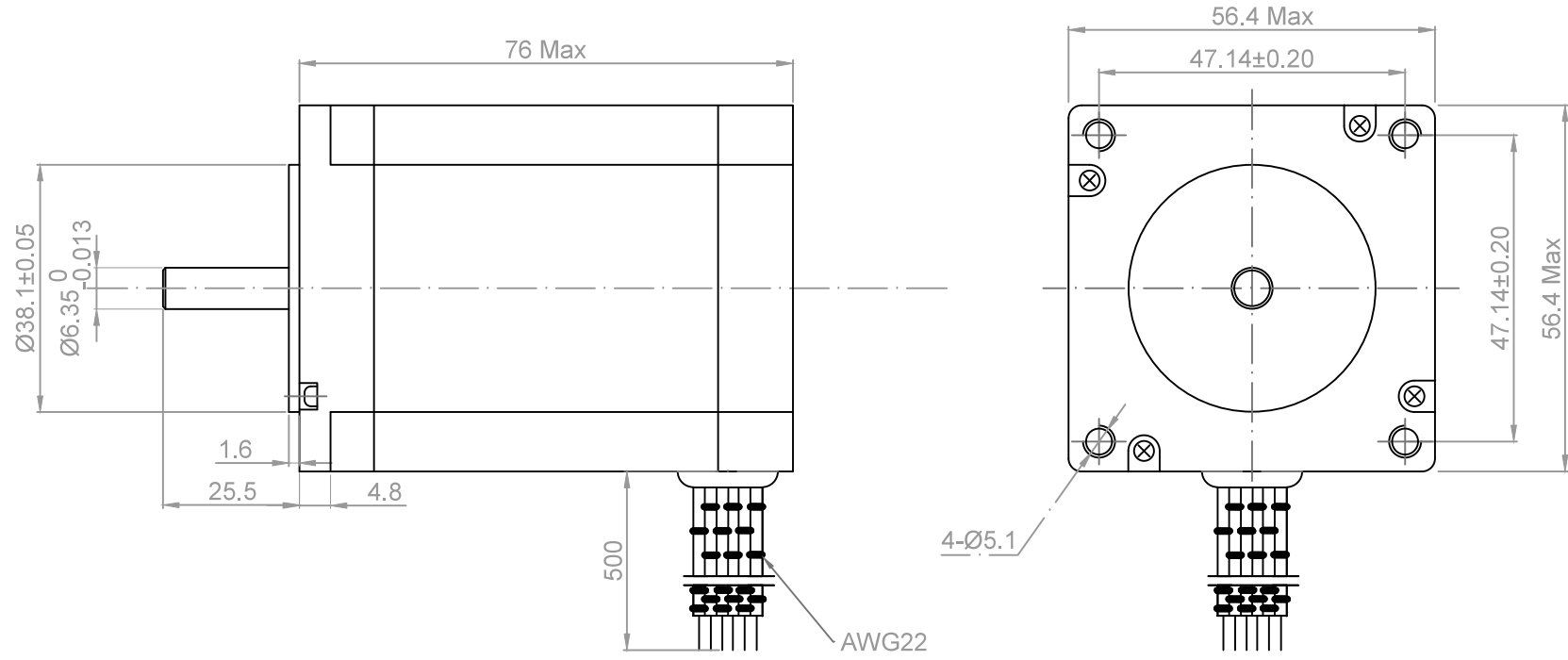


8	7	6	5	4	3	2	1
Rev.		Description		Date			
01		Release for Production		12/28/2012			



NO.	Item	Specification	NO.	Item	Specification
1	Step Angle	1.8°±5%	7	Holding Torque	15.0 Kg.cm
2	Voltage Phase	3.6 V	8	Insulation Class	B
3	Current Phase	3.0 A	9	Insulation Resistance	100MΩmin<500V DC>
4	Resistance Per Phase	1.2 Ω ±10%			
5	Inductance Per Phase	2.2 mH ±20%			
6	Number of Phase	4			

Drawn	Lawrence	03/11/2015	<b>Kysan Electronics</b> <a href="http://www.kysanelectronics.com">www.kysanelectronics.com</a> info@kysanelectronics.com		
Checked					
Eng Appr.					
Mfg Appr.					
Q.A.					
SKU	1126026		Size : A4	Weight(Kg): 1.1	Unit: mm
			Scale: 2:1		Sheet 1of 1