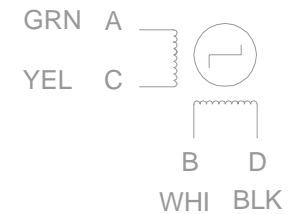
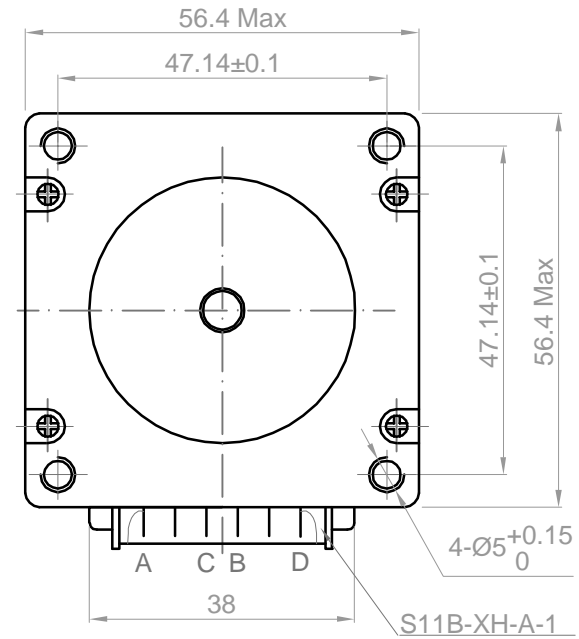
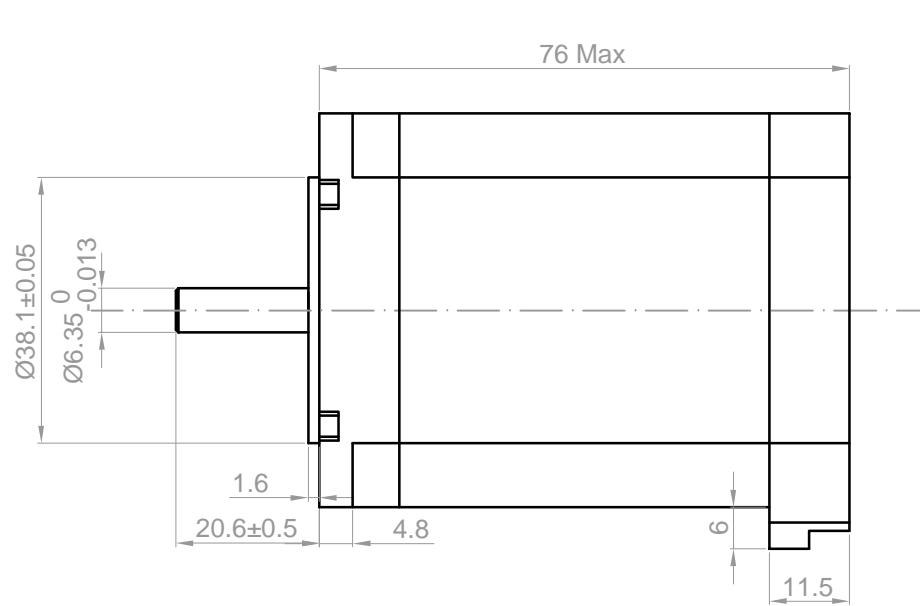


Rev.	Description	Date
01	Release for Production	06/12/2012



NO.	Item	Specification	NO.	Item	Specification
1	Step Angle	1.8°±5%	7	Holding Torque	1.52N·m
2	Rated Voltage	15.2 V	8	Insulation Class	B
3	Rated Current	0.4 A	9	Insulation resistance	100M min<500V DC>
4	Resistance Per Phase	38 ±10%	10	Rotor inertia	460g.cm <sup>2</sup>
5	Inductance Per Phase	170 mH ±20%	11	Detent Torque	70mN.m
6	Number of Phase	2			

Drawn	Feny	06/12/2012
Checked	Sara	06/12/2012
Eng Appr.		
Mfg Appr.		
Q.A.		
SKU	1126031	

<b>Kysan Electronics</b>		
www.kysanelectronics.com		
Email : info@kysanelectronics.com		
Size : A4	Weight(Kg): 1	Unit: mm
Scale: 2:1		Sheet 1of 1