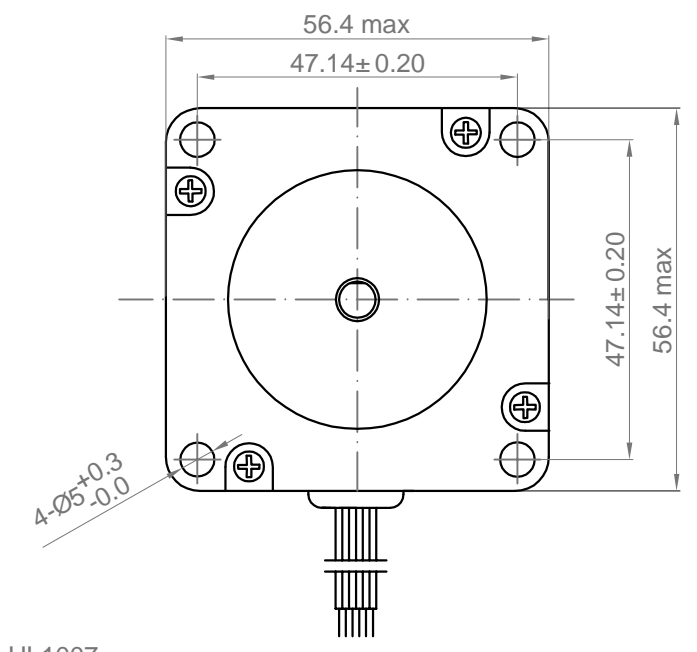
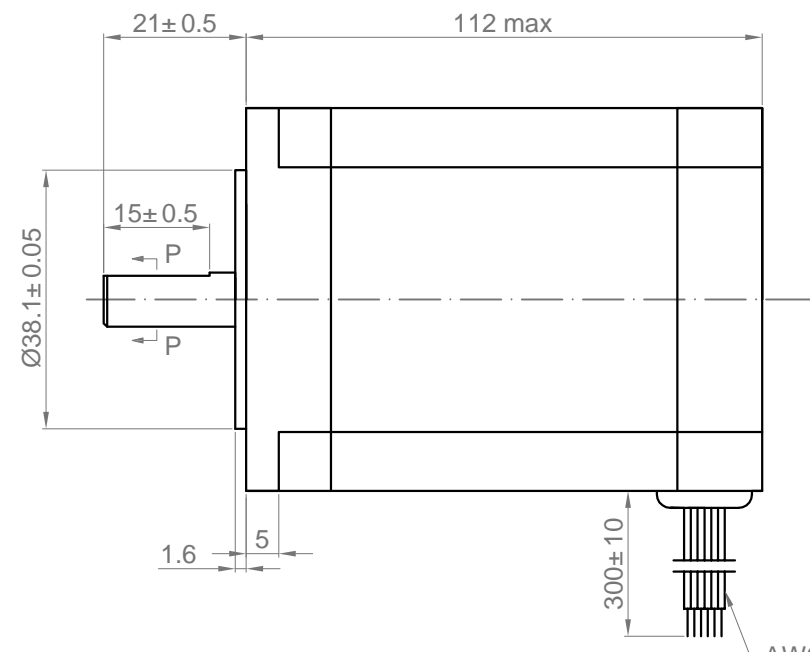
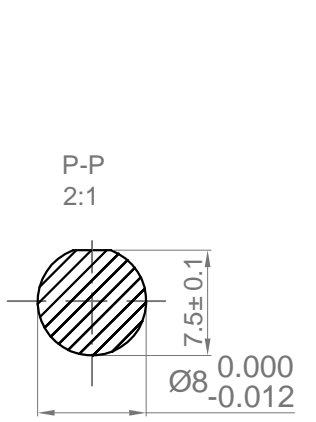


Rev.	Revision	Date
01	Update	12/29/2011



AWG22 UL1007

Step Angle 1.8° ± 5%

Number of Phase 2

Insulation Class Class B

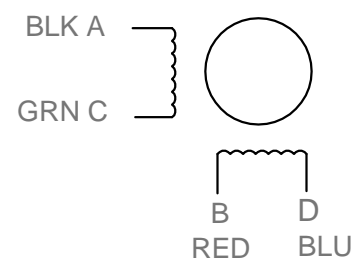
Voltage 5.7 V

Phase Current 3.0 A

Inductance Per Phase 6.8 mH ± 20%

Resistance Per Phase 1.9 Ω ± 10%

Holding Torque 250 N.cm Min



DRAWN	Shelly	12/29/2011
CHECKED	Sara	12/29/2011
ENG APPR.		
MFG APPR.		
Q.A.		

UNIT: mm		
Kysan Electronics		
SKU	SIZE A4	Email info@kysanelectronics.com
1126039	SCALE: 2:1	REV 01
	Weight(kg):	SHEET 1 OF 1