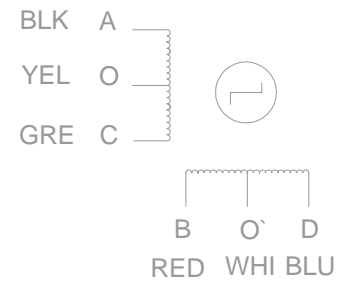
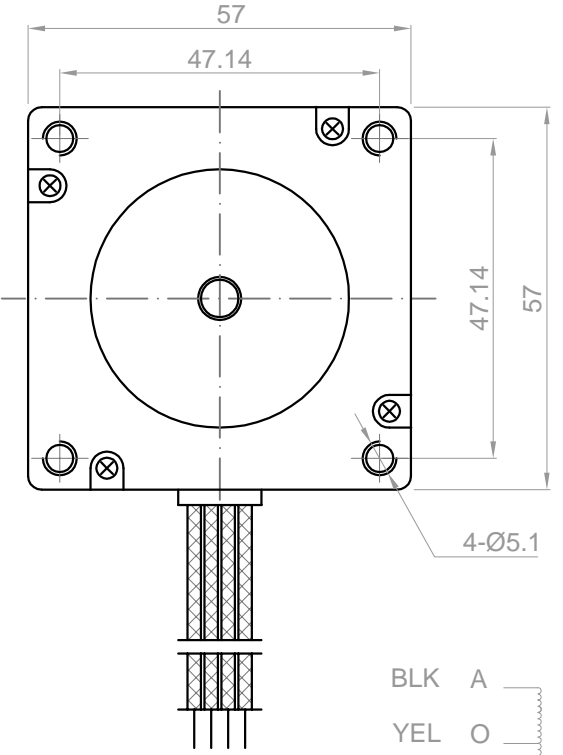
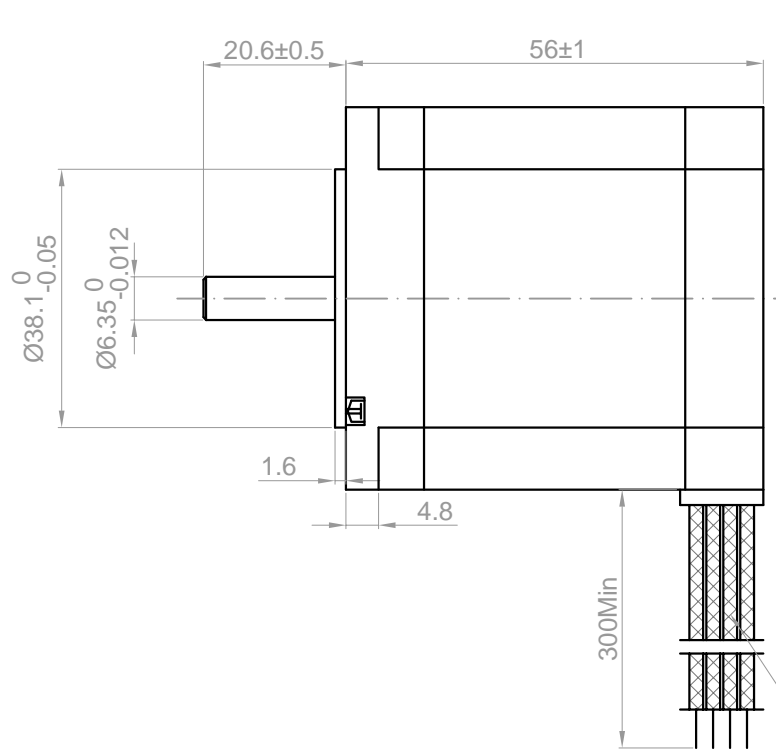


Rev.	Description	Date
01	Release for Production	06/27/2012



NO.	Item	Specification	NO.	Item	Specification
1	Step Angle	1.8°±5%	7	Holding Torque	9 .0 kg.cm
2	Rated Voltage	3.6VDC	8	Insulation Class	B
3	Rated Current	2 A	9	Insulation Resistance	100MΩmin<500V DC>
4	Resistance Per Phase	1.8 Ω ±10%			
5	Inductance Per Phase	2.5 mH ±20%			
6	Number of Phase	4			

Drawn	L	01/19/2015	<b>Kysan Electronics</b> <a href="http://www.kysanelectronics.com">www.kysanelectronics.com</a> <a href="mailto:info@kysanelectronics.com">info@kysanelectronics.com</a>		
Checked					
Eng Appr.					
Mfg Appr.					
Q.A.			Size : A4 Scale: 2:1 Weight(Kg): 0.42 Unit: mm Sheet 1of 1		
SKU	1126043				