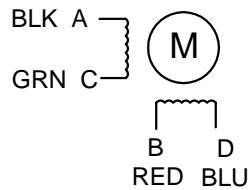
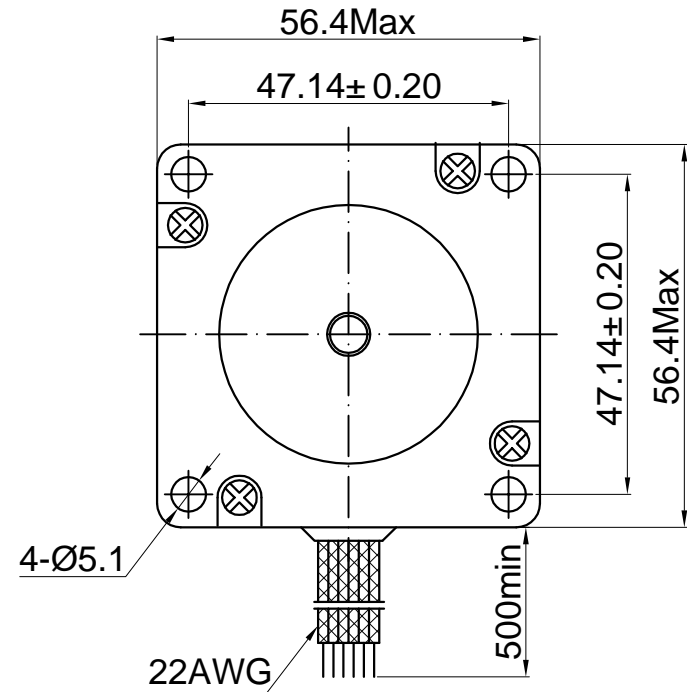
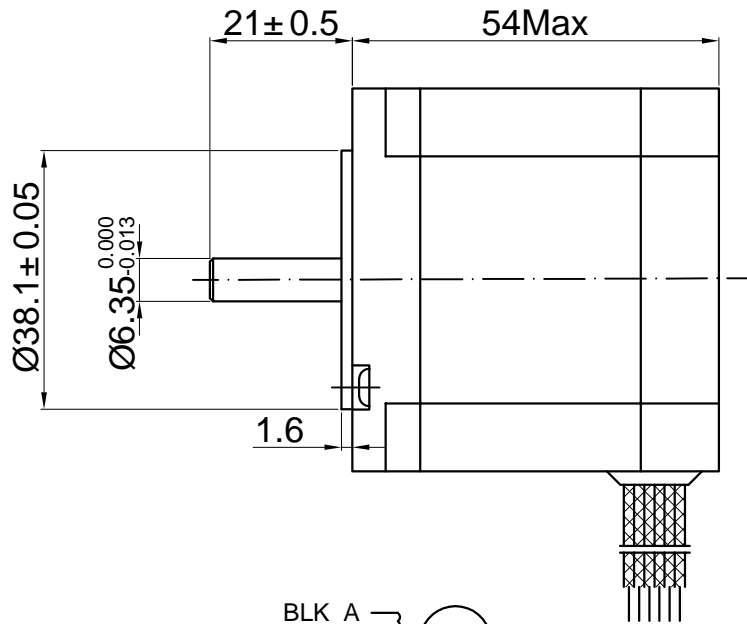


NO.	ITEM	SPECIFICATION
1	Step Angle	0.9° ± 5%
2	NO. of Phase	2
3	Rated Voltage	2.5V
4	Current Per Phase	2.8A
5	Resistance Per Phase	0.9± 10%Ω
6	Inductance Per Phase	3.3± 20% <sub>mH</sub>
7	Holding Torque	10Kg-cm
8	Insulation Class	Class B
9	Insulation Resistance	100Mohm (500V DC)

Rev.	Revision	Date
01	Update	3/22/2011



DRAWN	Kevin	3/22/2011
CHECKED	Sara	3/22/2011
ENG APPR.		
MFG APPR.		
Q.A.		

UNIT: mm		
Kysan Electronics		
SIZE A4	Kysan SKU 1126053	REV 01
SCALE: 2:1	Weight(kg):	SHEET 1 OF 1

57BYGHM004-A