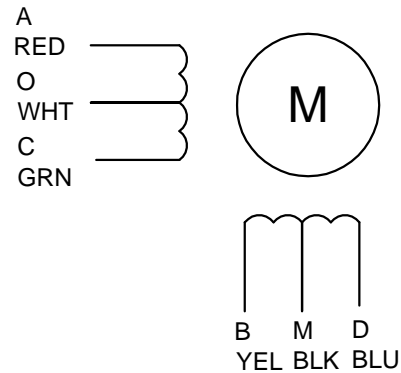
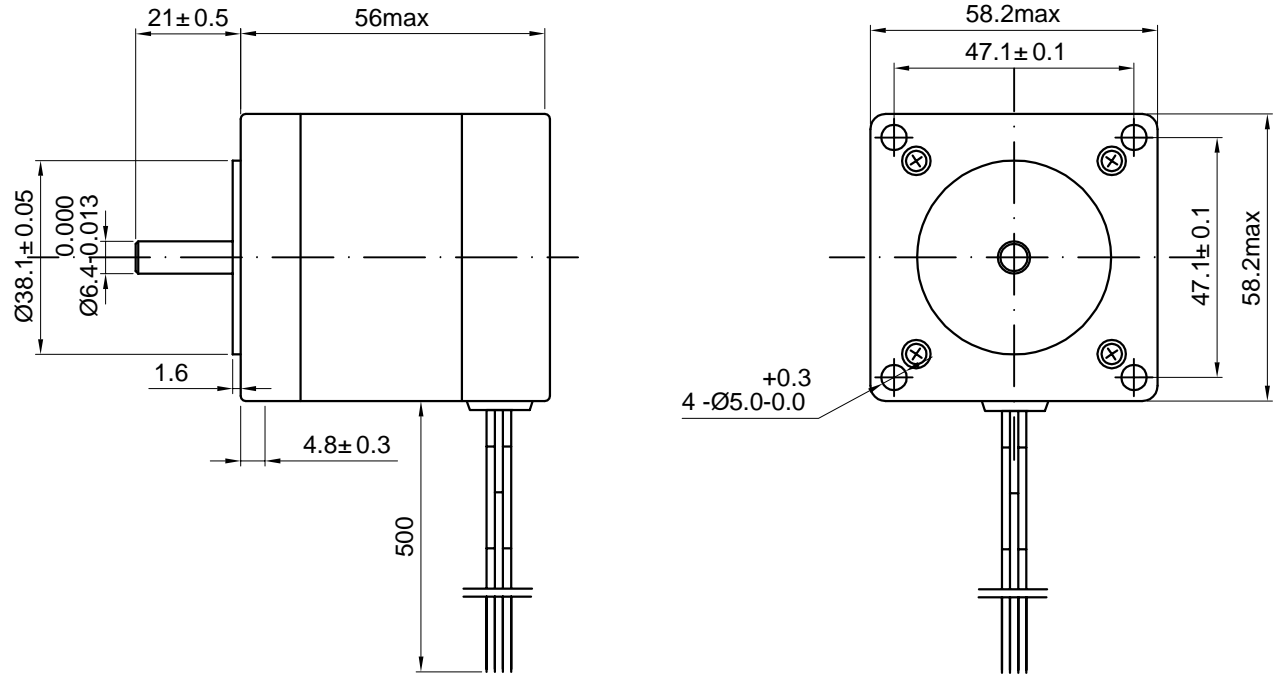


NO.	ITEM	SPECIFICATION
1	Rated Voltage	4V
2	NO. of Phase	4
3	Step Angle	$1.8^{\circ} \pm 5\%$
4	Resistance Per Phase	$2.5\Omega \pm 10\%$
5	Inductance Per Phase	3.1mH
6	Current Per Phase	1.6A
7	Holding Torque	58.8N.cm
8	Insulation Class	Class B
9	Dielectric Strength	100Mohm(500VDC)

Rev.	Revision	Date
01	Update	3/14/2011



DRAWN	Alex	3/14/2011	UNIT: mm	
CHECKED	Sara	3/14/2011	Kysan Electronics	
ENG APPR.				
MFG APPR.				
Q.A.				
57BYG602			SIZE A4	SKU 1126058
			SCALE: 1:1	REV 01
			Weight(kg):	SHEET 1 OF 1