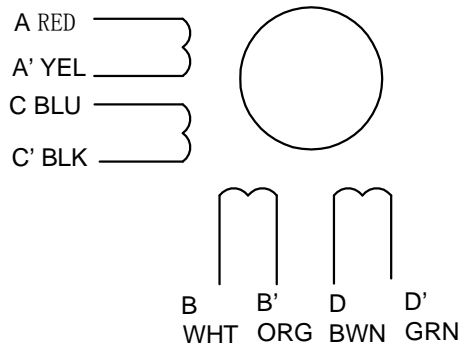
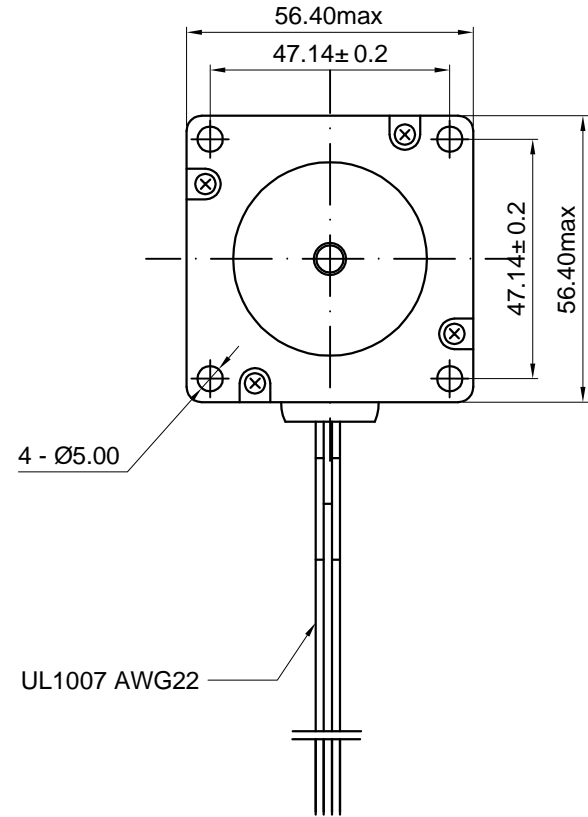
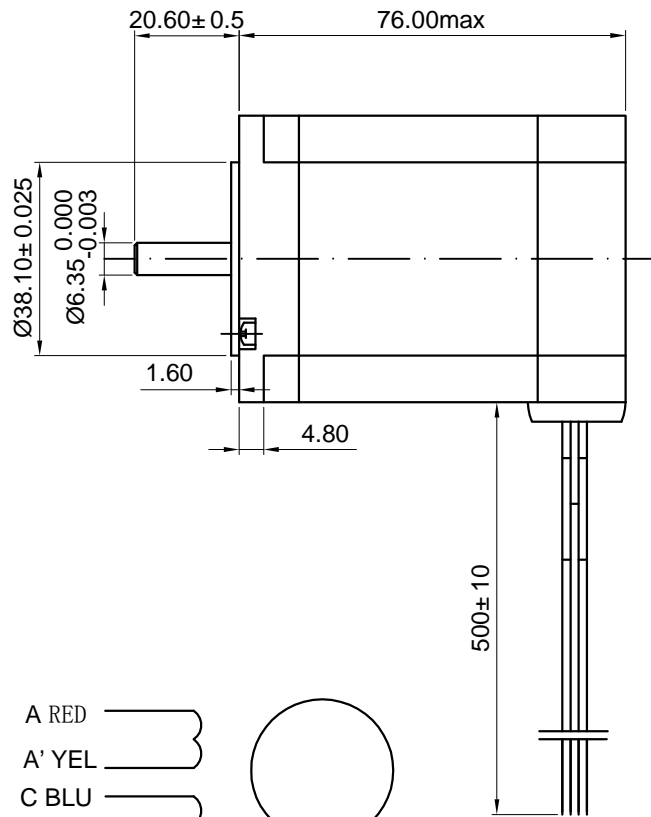


NO.	ITEM	SPECIFICATION
1	Rated Voltage	3V
2	NO. of Phase	4
3	Step Angle	1.8° ± 5%
4	Resistance Per Phase	1 ± 10%
5	Inductance Per Phase	1.8mH ± 20%
6	Current Per Phase	3A
7	Holding Torque	1.5N.m
8	Pull-in Rate	
9	Insulation Class	Class B
10	Dielectric Strength	100Mohm500VDC
11	Detent Torque	70mN.m
12	Rotor Inertia	460g.cm ²
13	Stepping Accuracy	
14	Derection of Rotation	CW
15	Lead Wire	AWG22
16	MFG of Terminal	N/A

Rev.	Revision	Date
01	Update	9/25/2010



DRAWN	Ma Yunlei	9/25/2010	UNIT: mm	
CHECKED	Sara	9/25/2010	Kysan Electronics	
ENG APPR.				
MFG APPR.				
Q.A.				
57BYGH314			SIZE A4	DWG.NO. 1126063
			SCALE: 1:1	Weight(kg): 1
			REV 01	
			SHEET 1 OF 1	