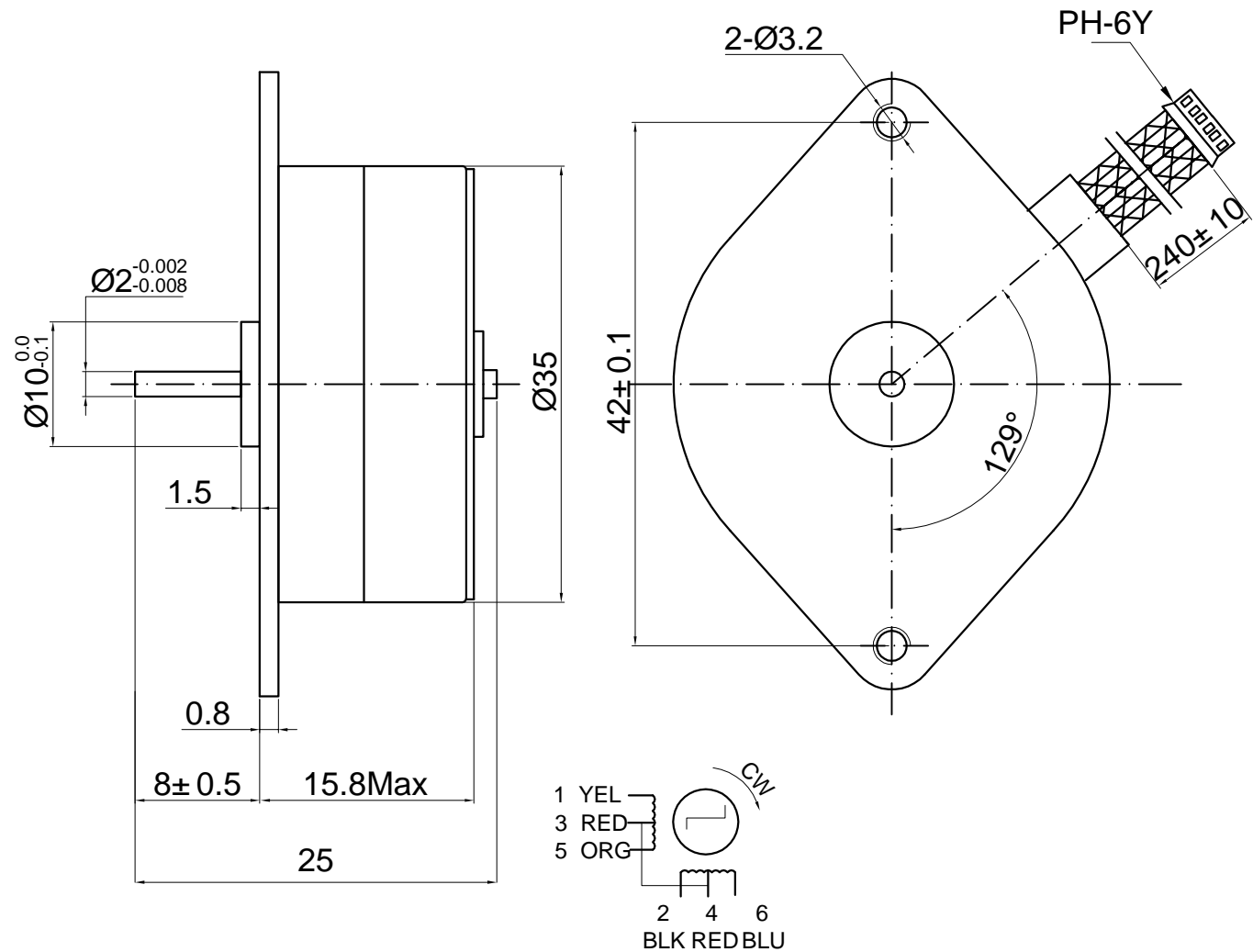


NO.	ITEM	SPECIFICATION	CONDITION
1	Rated Voltage	24V	
2	NO. of Phase	4	
3	Step Angle	7.5° ± 5%	
4	No. of Step per Revolution	48	
5	Resistance Per Phase	110Ω± 7%	20° C
6	Inductance Per Phase	44.9mH± 20%	
7	Current Per Phase	0.22A	
8	Holding Torque	>250g.cm	
9	Pull-in Rate	450pps	
10	Insulation Class	Class E	
11	Pull-in Torque	40g.cm	200pps
12	Insulation Resistance	100Mohm	500VDC
13	Dielectric Strength	RMS for 2 Sec	650VAC
14	Operation Temp Range	-10 ~ +40° C	
15	Storage Temp Range	-30 ~ +80° C	
16	Detent Torque	<75g.cm	
17	Rotor Inertia	<3.5g.cm <sup>2</sup>	
18	Life	3000h (20° C)	100pps
19	Lead Wire	UL 1007 26#	
20	Weight	68g	



Rev.	Revision	Date
01	Update	3/7/2011

DRAWN	Li	3/8/2011	UNIT: mm		
CHECKED	Sara	3/8/2011			
ENG APPR.			Sinotech		
MFG APPR.					
Q.A.					
35BY48B08			SIZE	P/N	REV
			A4	238115	01
SCALE: 4:1		Weight(kg): 0.068	SHEET 1 OF 1		