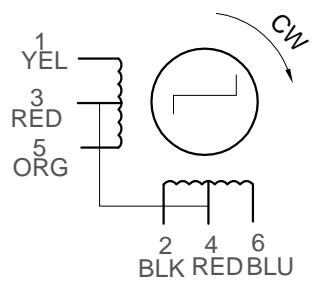
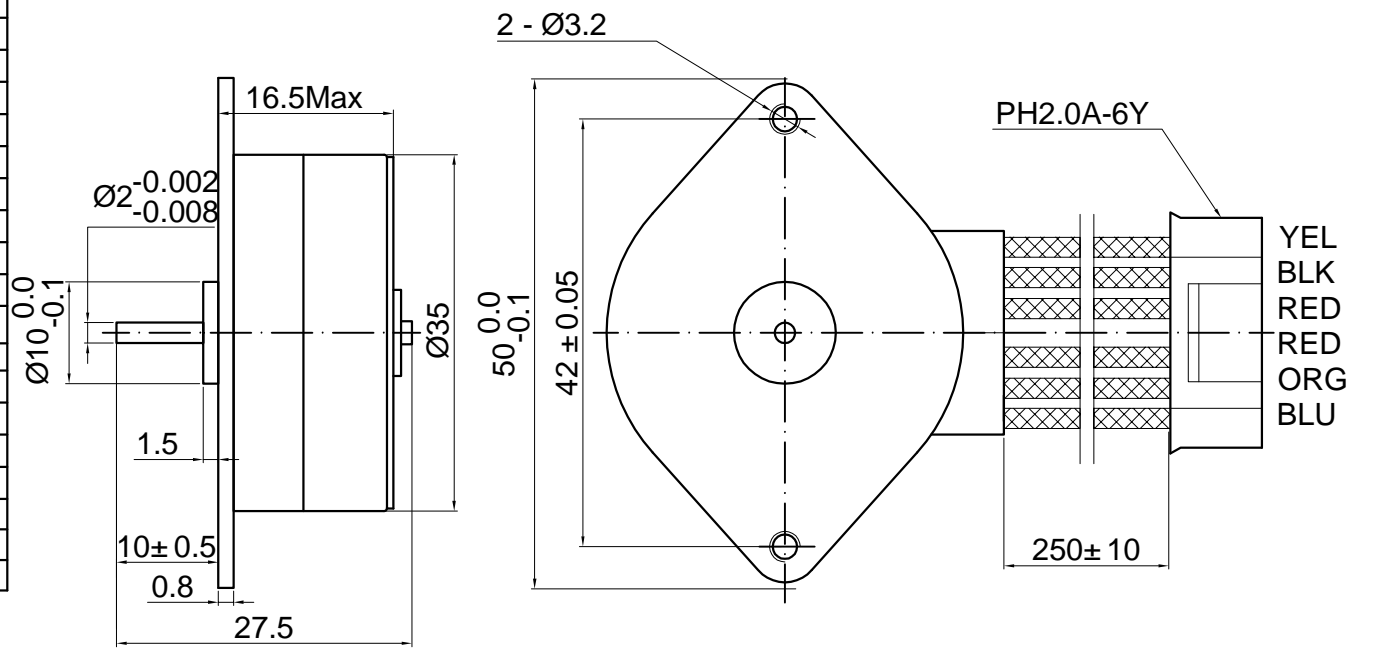


NO.	ITEM	SPECIFICATION	CONDITION
1	Rated Voltage	12 V	
2	NO. of Phase	4	
3	Step Angle	7.5°	
4	No. of Step per Revolution	48	
5	Resistance Per Phase	50Ω ± 7%	20° C
6	Inductance Per Phase	18.5mH ± 20%	
7	Current Per Phase	0.24 A	
8	Holding Torque	>450 g.cm	
9	Pull-in Rate	480 pps MIN	
10	Insulation Class	Class E	
11	Pull-in Torque	80 g.cm	200pps
12	Insulation Resistance	100Mohm	500VDC
13	Dielectric Strength	RMS for 2 Sec	650VAC
14	Operation Temp Range	-10 ~ +40° C	
15	Storage Temp Range	-30 ~ +80° C	
16	Detent Torque	<75g.cm	
17	Rotor Inertia	<7.5 g.cm ²	
18	Life	3000h MIN	200pps
19	Excitation	2-2	
20	Stepping Accuracy	7.5° ± 7%	
21	Lead Wire	UL1007 #26	

Rev.	Revision	Date
01	Update	6/7/2011



DRAWN	Amily	6/7/2011
CHECKED	Sara	6/7/2011
ENG APPR.		
MFG APPR.		
Q.A.		

35BY48B09	UNIT: mm	Kysan Electronics	
	SIZE A4	Kysan SKU 1134004	REV 01
SCALE: 3:1	Weight(kg): 0.071	SHEET 1 OF 1	