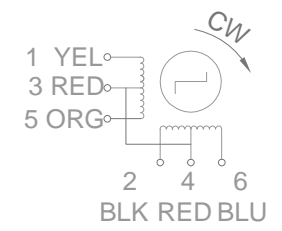
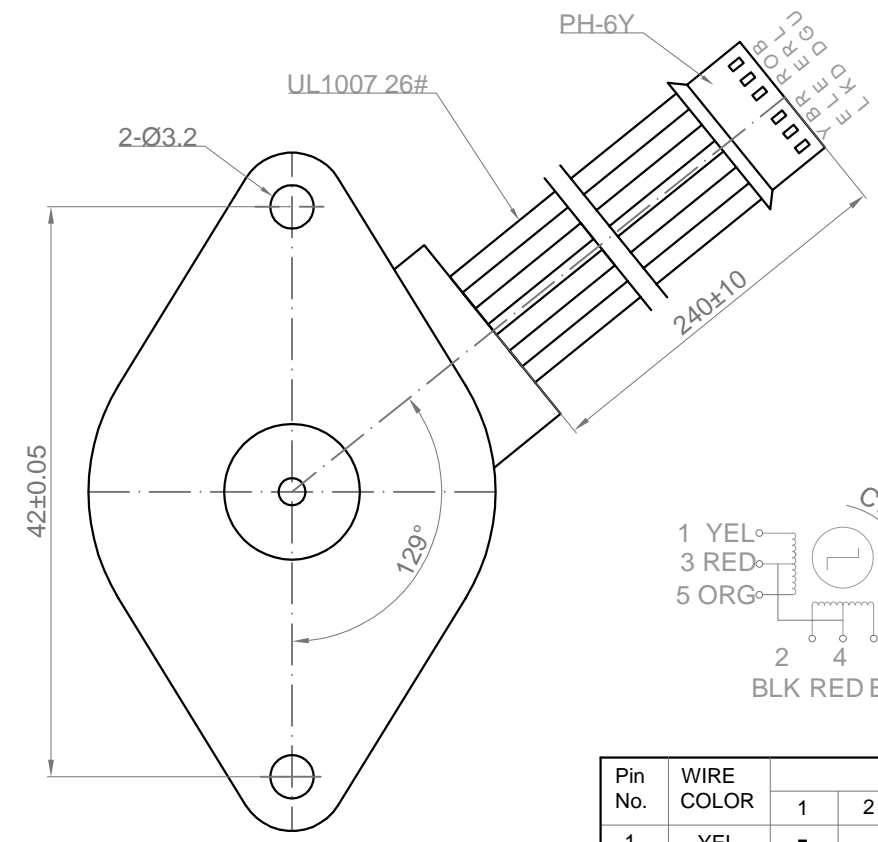
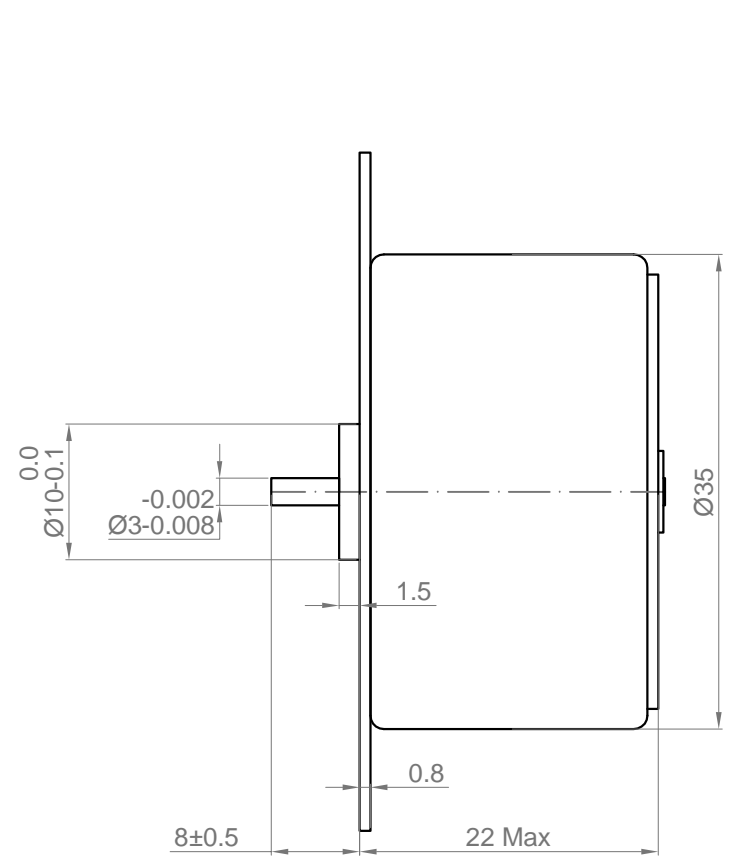


Rev.	Description	Date
01	Release for Production	11/23/2012



Pin No.	WIRE COLOR	STEP			
		1	2	3	4
1	YEL	-	-	-	-
2	BLK	-	-	-	-
3	RED	+	+	+	+
4	RED	+	+	+	+
5	ORG	-	-	-	-
6	BLU	-	-	-	-

NO.	Item	Specification	NO.	Item	Specification
1	Step Angle	7.5°	7	Holding Torque	>780 g.cm
2	Rated Voltage	12 V	8	Insulation Class	E
3	Current Per Phase	0.8 A	9	Insulation resistance	100MΩ Min<500V DC>
4	Resistance Per Phase	15 Ω ±7%<20°C>	10	Rotor Inertia	<7.5 g.cm <sup>2</sup>
5	Inductance Per Phase	9.5 mH ±20%	11	No. of Step Per Revolution	48
6	Number of Phase	4			

Drawn	Harry	11/23/2012	<b>Kysan Electronics</b> <a href="http://www.kysanelectronics.com">www.kysanelectronics.com</a> <a href="mailto:info@kysanelectronics.com">info@kysanelectronics.com</a>		
Checked	Sara	11/23/2012			
Eng Appr.					
Mfg Appr.					
Q.A.					
SKU	1135004		Size : A4	Weight(g): 88.5	Unit: mm
			Scale: 4:1		Sheet 1of 1