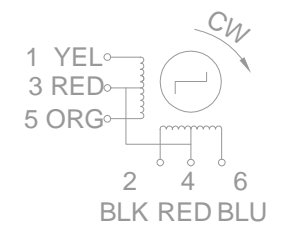
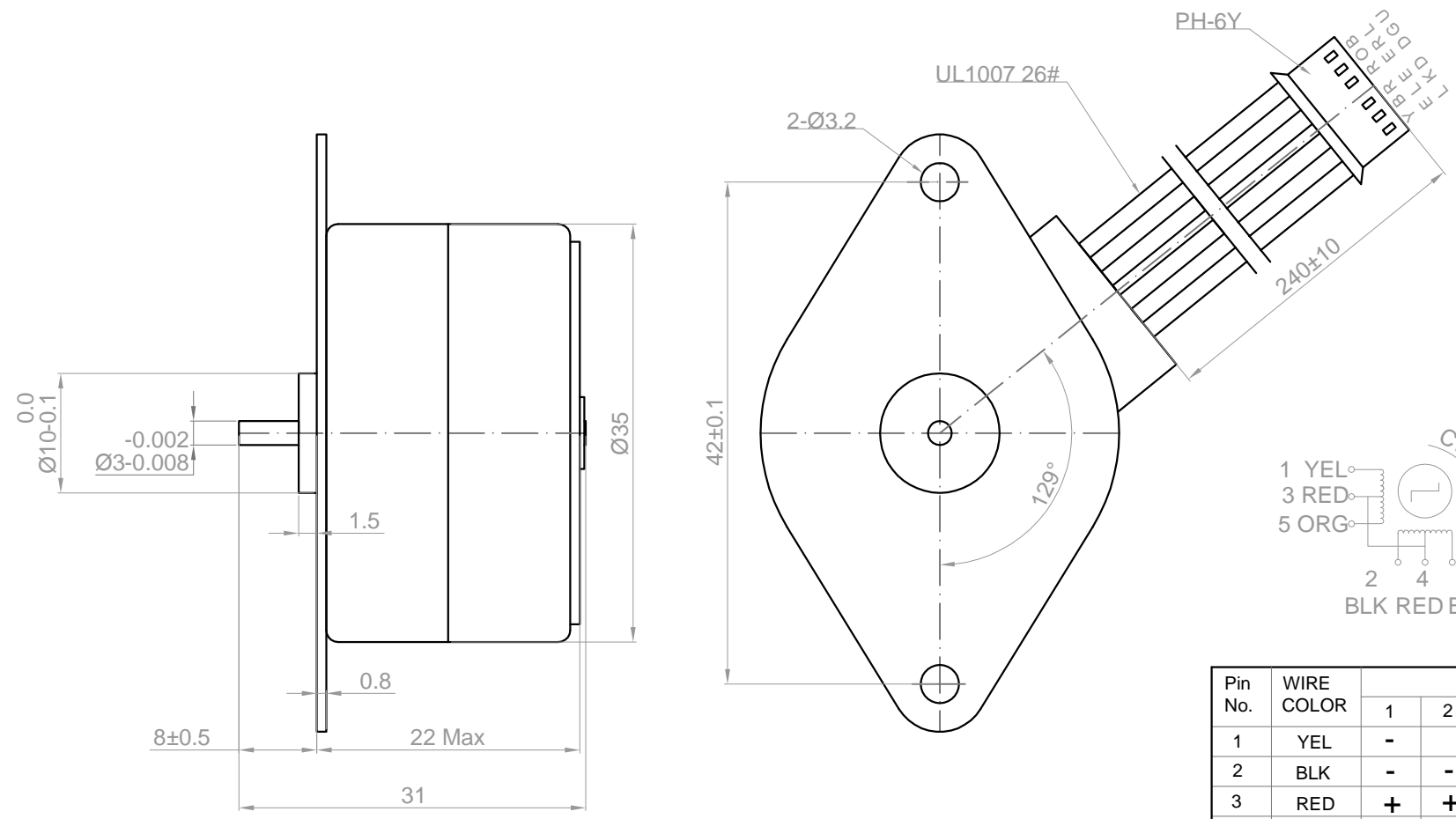


Rev.	Description	Date
01	Release for Production	01/23/2013



Pin No.	WIRE COLOR	STEP			
		1	2	3	4
1	YEL	-	-	-	-
2	BLK	-	-	-	-
3	RED	+	+	+	+
4	RED	+	+	+	+
5	ORG	-	-	-	-
6	BLU	-	-	-	-

NO.	Item	Specification	NO.	Item	Specification
1	Step Angle	7.5°	7	Holding Torque	550 g.cm
2	Rated Voltage	12 V	8	Insulation Class	E
3	Current Per Phase	0.29 A	9	Insulation resistance	100MΩ Min<500V DC>
4	Resistance Per Phase	42 Ω ±7%<20°C>	10	Rotor Inertia	<7.5 g.cm ²
5	Inductance Per Phase	21.6 mH ±20%	11	No. of Step Per Revolution	48
6	Number of Phase	4			

Drawn	Harry	01/23/2013	Kysan Electronics www.kysanelectronics.com info@kysanelectronics.com		
Checked	Sara	01/23/2013			
Eng Appr.					
Mfg Appr.					
Q.A.					
SKU	1135006		Size : A4	Weight(g): 83	Unit: mm
			Scale: 4:1		Sheet 1of 1