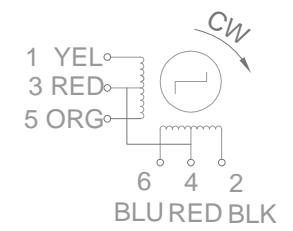
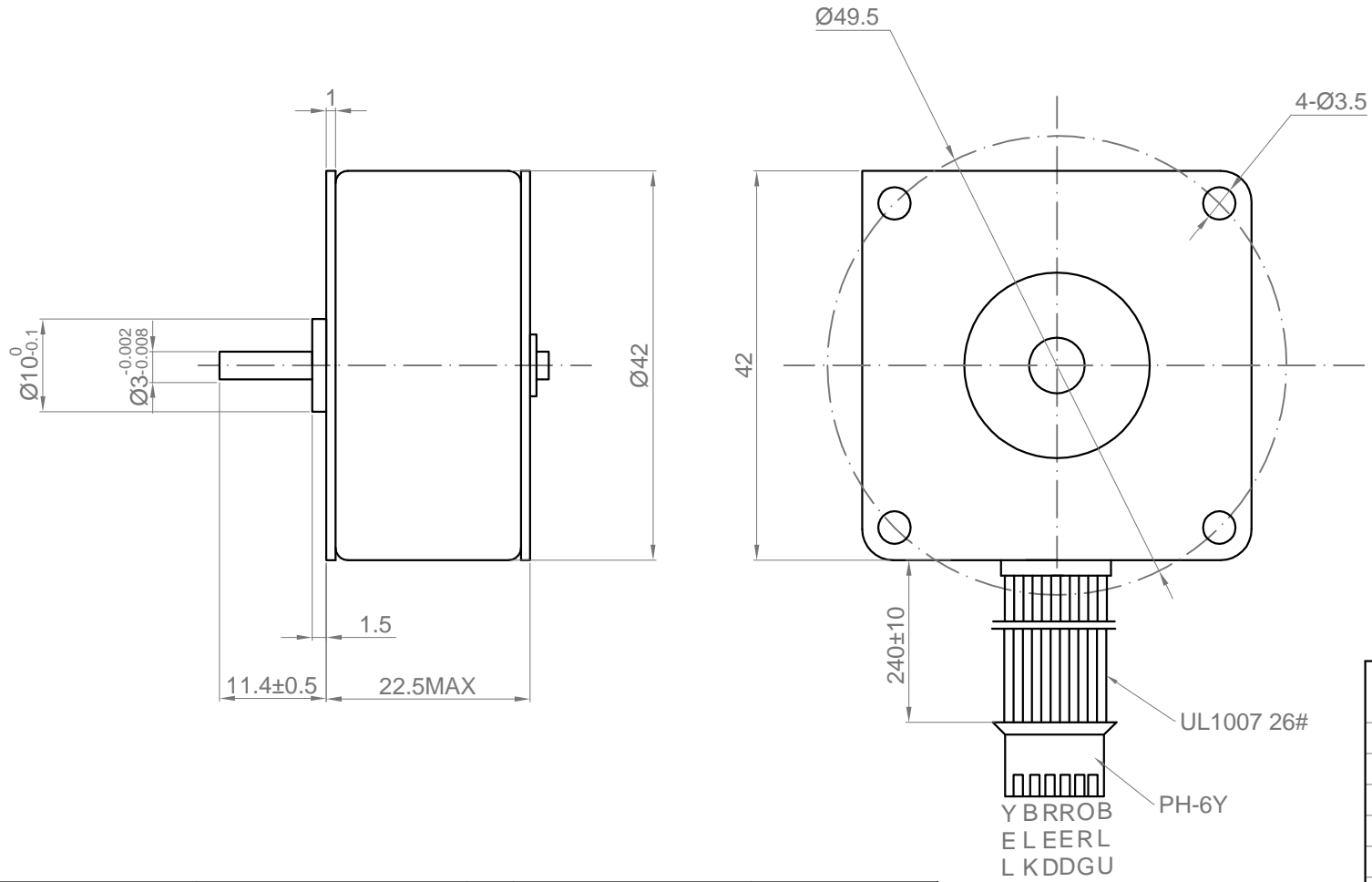


Rev.	Description	Date
01	Release for Production	08/08/2013



Pin No.	WIRE COLOR	STEP			
		1	2	3	4
1	YEL	-			-
2	BLK			-	-
3	RED	+	+	+	+
4	RED	+	+	+	+
5	ORG		-	-	
6	BLU	-	-		

NO.	Item	Specification	NO.	Item	Specification
1	Step Angle	7.5°	8	Pull-in Rate	350pps
2	Rated Voltage	24V	9	Operating Temp Range	-10~40°C
3	Current Per Phase	0.28 A	10	Rotor Inertia	7.5g.cm <sup>2</sup>
4	Resistance Per Phase	85±7% Ω(20°C)	11	No. of Step Per Revolution	48
5	Inductance Per Phase	62±20% mH	12	Detent Torque	<125g.cm
6	Number of Phase	4	13	Insulation Class	Class E
7	Holding Torque	>700g.cm			

Drawn	Rainia	08/08/2013
Checked	Sara	08/08/2013
Eng Appr.		
Mfg Appr.		
Q.A.		
SKU	1137004	

<b>Kysan Electronics</b>		
www.kysanelectronics.com		
Email : info@kysanelectronics.com		
Size : A4	Weight(g): 132.5	Unit: mm
Scale: 3:1		Sheet 1 of 1