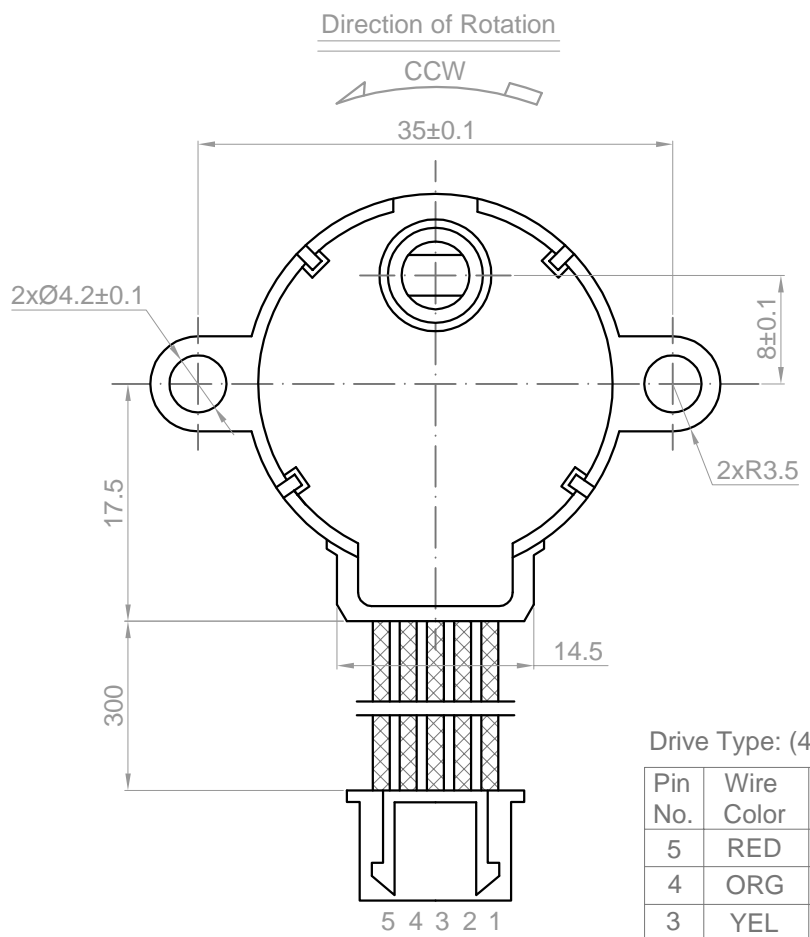
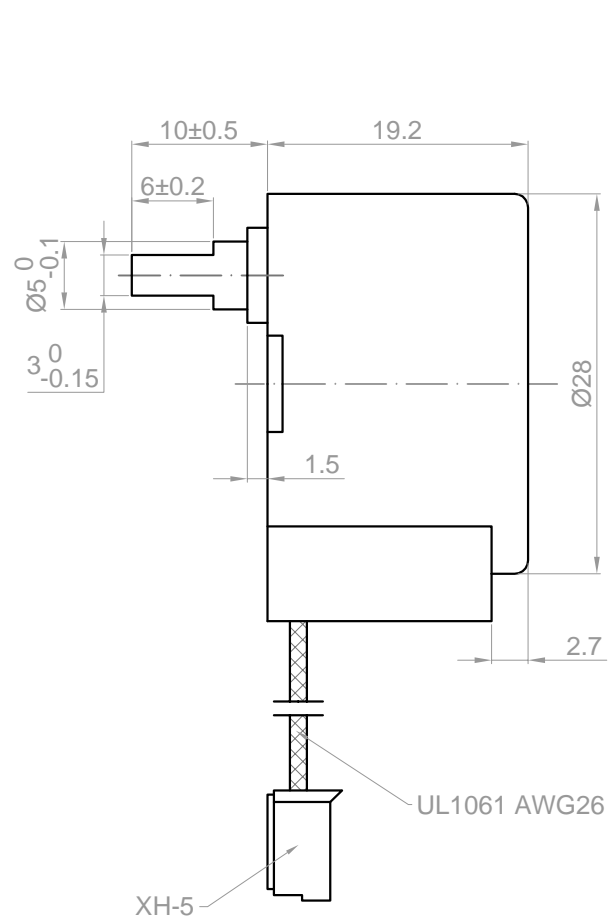
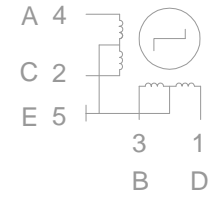


Rev.	Description	Date
01	Release for Production	08/16/2012



Direction of Rotation
CCW



Drive Type: (4-1-2)

Pin No.	Wire Color	1	2	3	4	5	6	7	8
5	RED	+	+	+	+	+	+	+	+
4	ORG	-	-						-
3	YEL		-	-	-				
2	PIN				-	-	-		
1	BLU						-	-	-

NO.	Item	Specification	NO.	Item	Specification
1	Step Angle	5.625/64°	7	Starting Torque	≥300 g.cm <100PPS>
2	Rated Voltage	12 V	8	Insulation Strength	AC 600V 1s
3	Reduction Ratio	1:64			
4	Resistance Per Phase	300 Ω			
5	Starting Frequency	≥550 PPS			
6	Number of Phase	4			

Drawn	Feny	08/16/2012
Checked	Sara	08/16/2012
Eng Appr.		
Mfg Appr.		
Q.A.		
SKU	1138003	

Kysan Electronics
www.kysanelectronics.com

info@kysanelectronics.com

Size : A4	Weight(Kg):	Unit: mm
Scale: 4:1		Sheet 1of 1