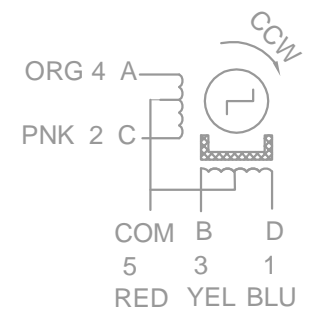
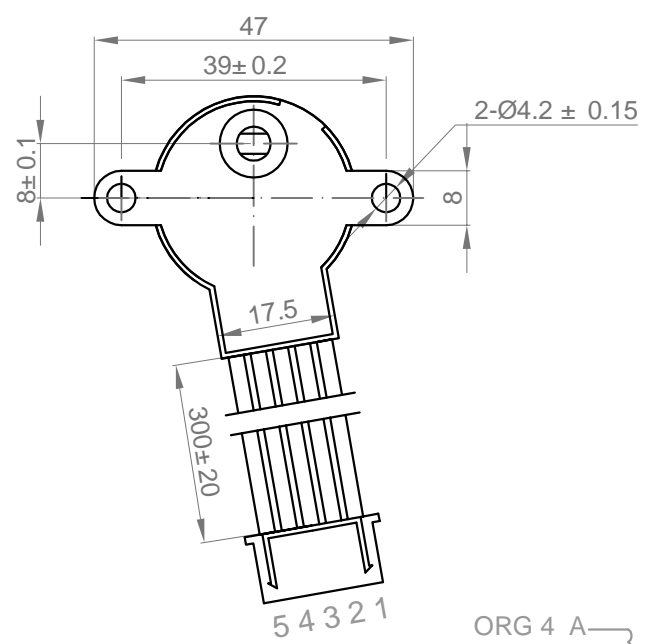
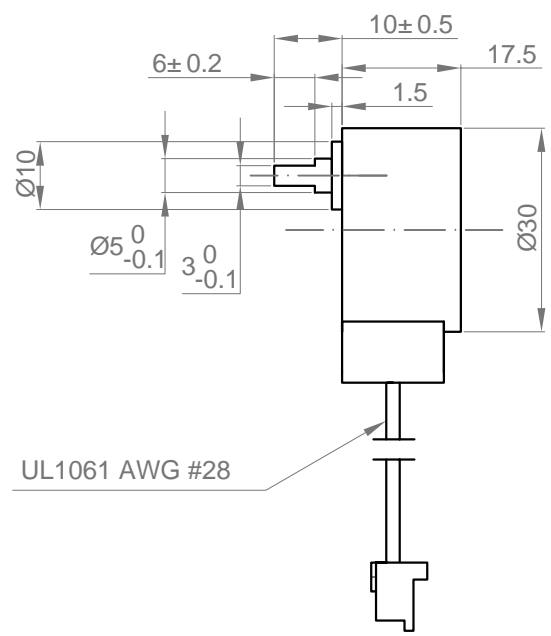


Rev.	Description	Date
01	Release for production	02/14/2012



NO.	Item	Specification	NO.	Item	Specification
1	Step Angle	7.5° /85.25	7	Holding Torque	400 g.cm
2	Rated Voltage	12 V	8	Pull-in Torque	600 g.cm
3	Rated Current	60 mA	9	Gear Ratio	1:85.25
4	Resistance Per Phase	200 Ω± 10%/Phase	10	Direction of Rotation	CCW
5	Pull-in Rate	500 pps			
6	Number of Phase	4			

Drawn	Emily	02/14/2012	Unit: mm		
Checked	Sara	02/14/2012	Kysan Electronics www.kysanelectronics.com Email : info@kysanelectronics.com		
Eng Appr.					
Mfg Appr.					
Q.A.					
SKU			Size :A4	Weight(kg): 0.2	
1139001			Scale 2:1		