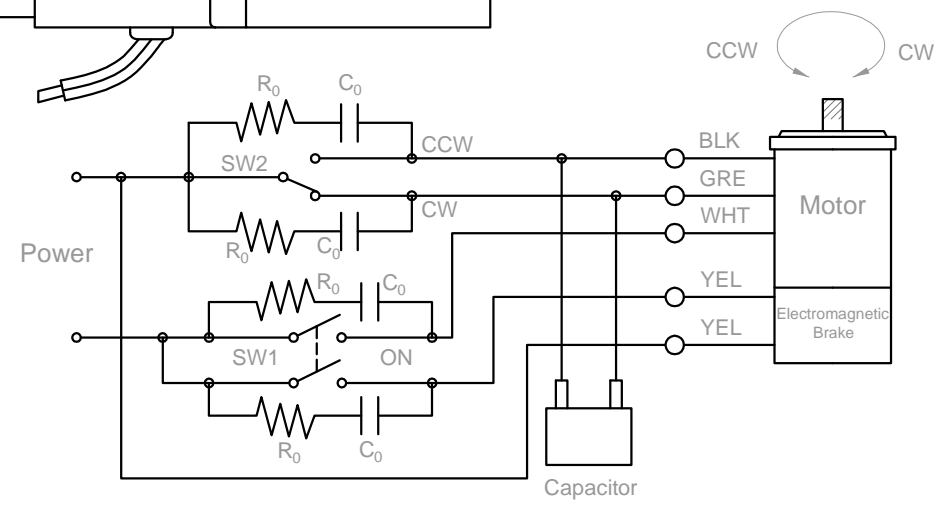
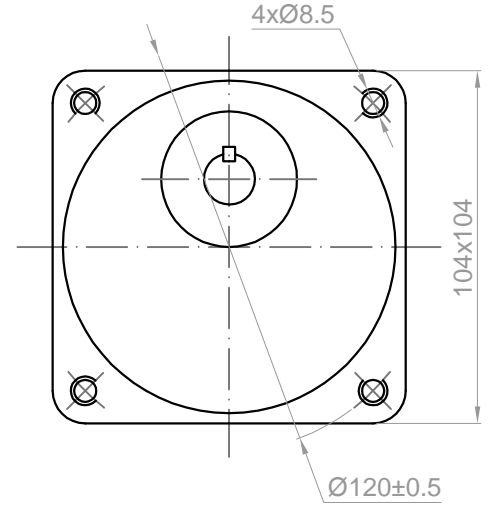
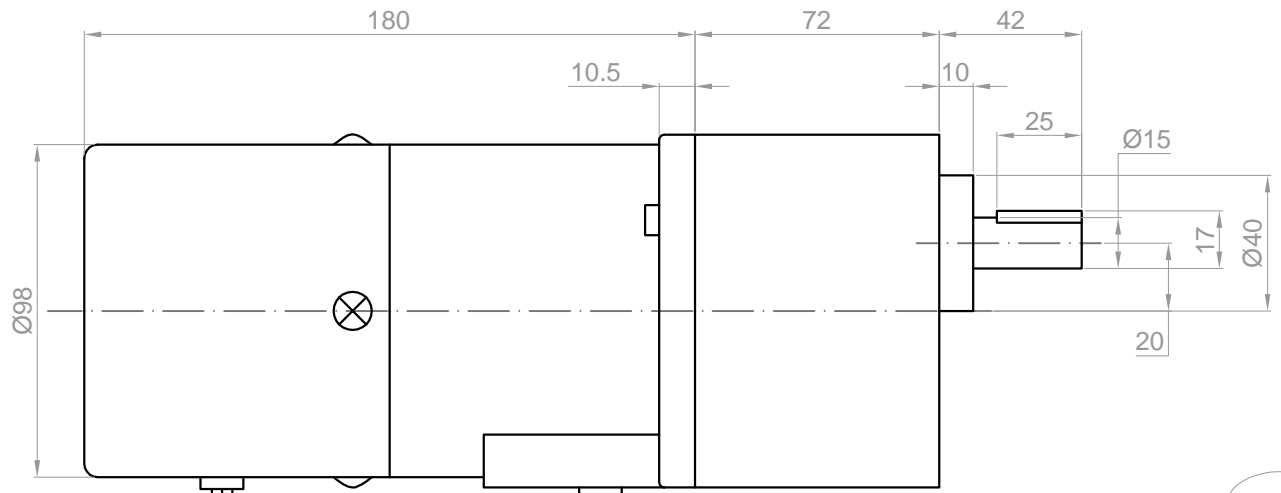


Rev.	Description	Date
01	Release for Production	08/15/2012



NO.	Item	Specification	NO.	Item	Specification
1	Rated Voltage	220 V AC <Single Phase>	7	Starting Torque of Motor	7.75 Kg.cm
2	Rated Frequency	50 Hz	8	Rated Torque of Motor	12.6 Kg.cm
3	No Load Speed	500 RPM	9	Rated Speed of Motor	1300 RPM
4	Reduction Ratio	3:1	10	Capacitor/ Ve of Motor	8.0 µF/450 VAC
5	Rated Torque	22 Kg.cm	11	Output Power	160 W
6	No Load Current of Motor	1.25 A			

Drawn	Feny	08/15/2012
Checked	Sara	08/15/2012
Eng Appr.		
Mfg Appr.		
Q.A.		
SKU	1150431	

Kysan Electronics		
www.kysanelectronics.com		
info@kysanelectronics.com		
Size : A4	Weight(Kg):	Unit: mm
Scale: 1:1		Sheet 1 of 1