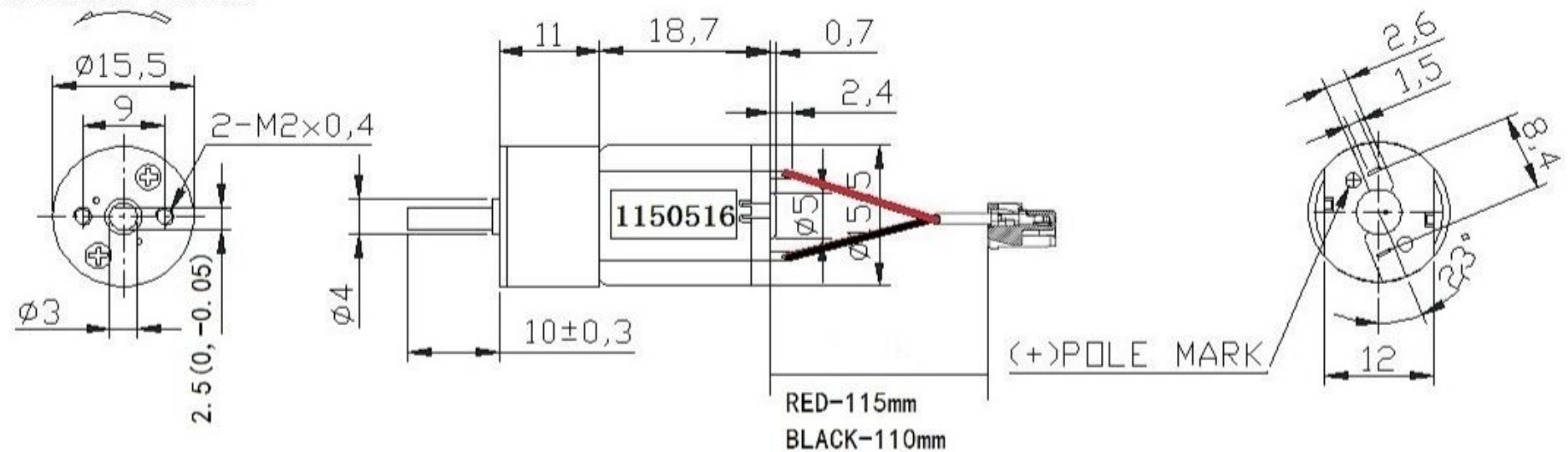


Rev.	Description	Date
01		

DIRECTION OF ROTATION



Connector JST : GHR-02V-S
Terminal : SSSL-002T-P0.2

No.	Item	Specification	No.	Item	Specification
1	Operating Voltage Range	9.0V-13V DC	7	Rated Load Current	100mA Max
2	Rated Voltage	12.0V DC	8	Rated Load Speed	34RPM±10%
3	Rated Load	1000g.cm	9	Stall Current	450mA Max
4	Direction Of Rotation	CCW	10	Stall Torque	4.5kg.cm
5	No Load Current	40mA Max	11	Gear Ratio	360:1
6	No Load Speed	40RPM±10%			

Drawn	Bruce	09/14/2022	Unit: mm Kysan Electronics www.kysanelectronics.com info@kysanelectronics.com	
Checked	Tony	09/14/2022		
Eng Appr.				
Mfg Appr.				
Q.A.				
SKU: 1150516			Size :A4	Weight(Kg):
			Scale :	