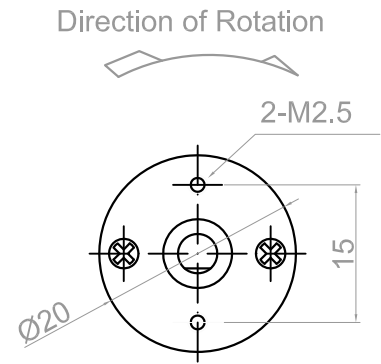
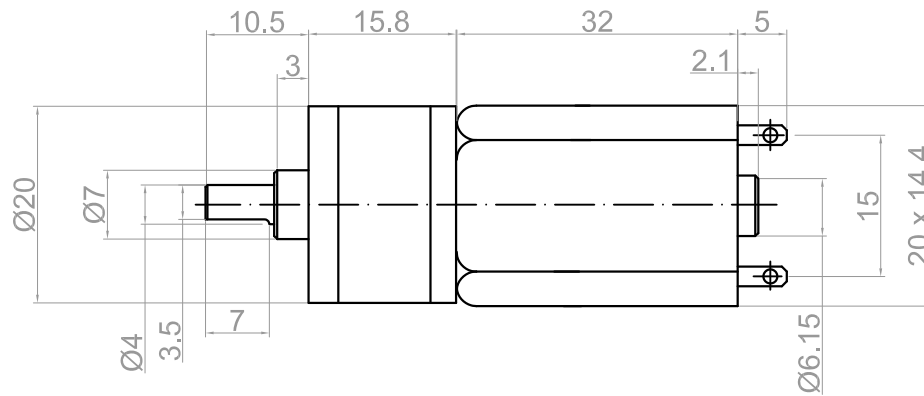


Rev.	Description	Date
01	Release	07/12/2012



Rated Voltage 3 VDC  
 No Load Speed 350±10% RPM  
 No Load Current 0.26 A  
 Rated Speed 300±10% RPM  
 Rated Current 0.4A  
 Rated Torque 0.2 Kg.cm  
 Gear Ratio 31.2:1  
 Stall Current 4A  
 Stall Torque 2.3 Kg.cm

Drawn	Feny	07/12/2012	Unit: mm  <b>Kysan Electronics</b> www.kysanelectronics.com		
Checked	Sara	07/12/2012			
Eng Appr.					
Mfg Appr.					
	Q.A.				
SKU	1150622		Size A4	Email info@kysanelectronics.com	Rev 01
			Scale: 3:1	Weight(Kg):	Sheet 1 of 1