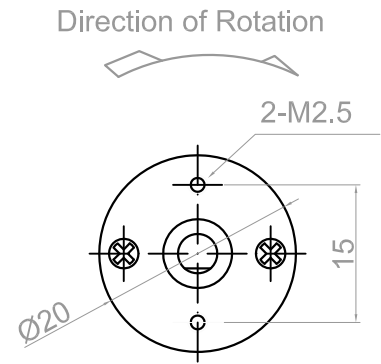
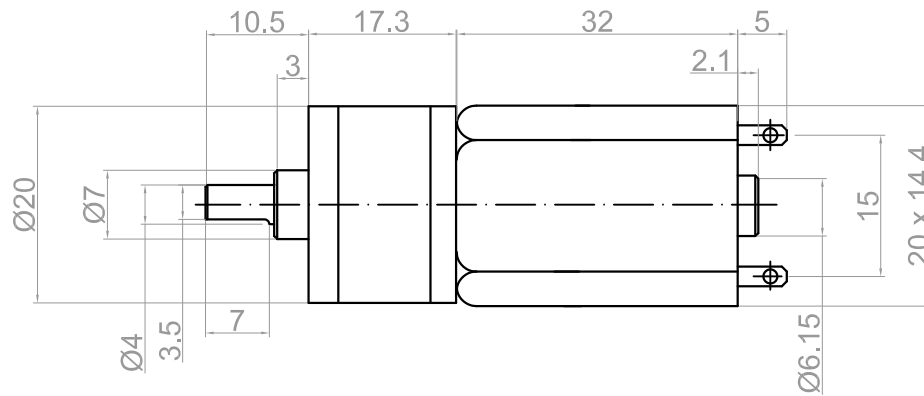


| Rev. | Description | Date |
|------|-------------|------------|
| 01 | Release | 07/12/2012 |



Rated Voltage 6 VDC
 No Load Speed 350±10% RPM
 No Load Current 0.6 A
 Rated Speed 300±10% RPM
 Rated Current 1 A
 Rated Torque 1.4 Kg.cm
 Gear Ratio 62.5:1
 Stall Current 5 A
 Stall Torque 6 Kg.cm

| | | | | | |
|-----------|---------|------------|--|---------------------------------|--------------|
| Drawn | Feny | 07/12/2012 | Unit: mm | | |
| Checked | Sara | 07/12/2012 | | | |
| Eng Appr. | | | Kysan Electronics www.kysanelectronics.com | | |
| Mfg Appr. | | | | | |
| Q.A. | | | | | |
| SKU | 1150651 | | Size A4 | Email info@kysanelectronics.com | Rev 01 |
| | | | Scale: 3:1 | Weight(Kg): | Sheet 1 of 1 |