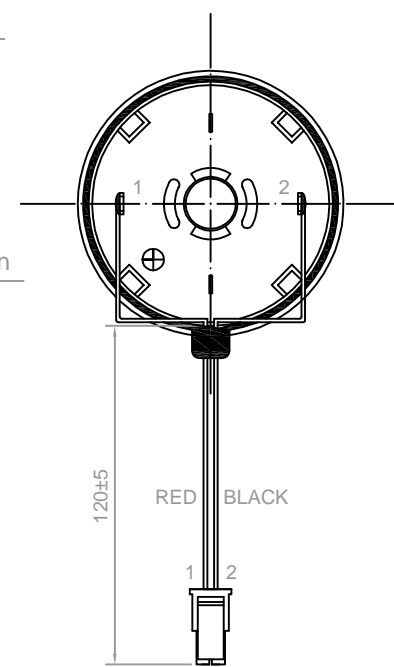
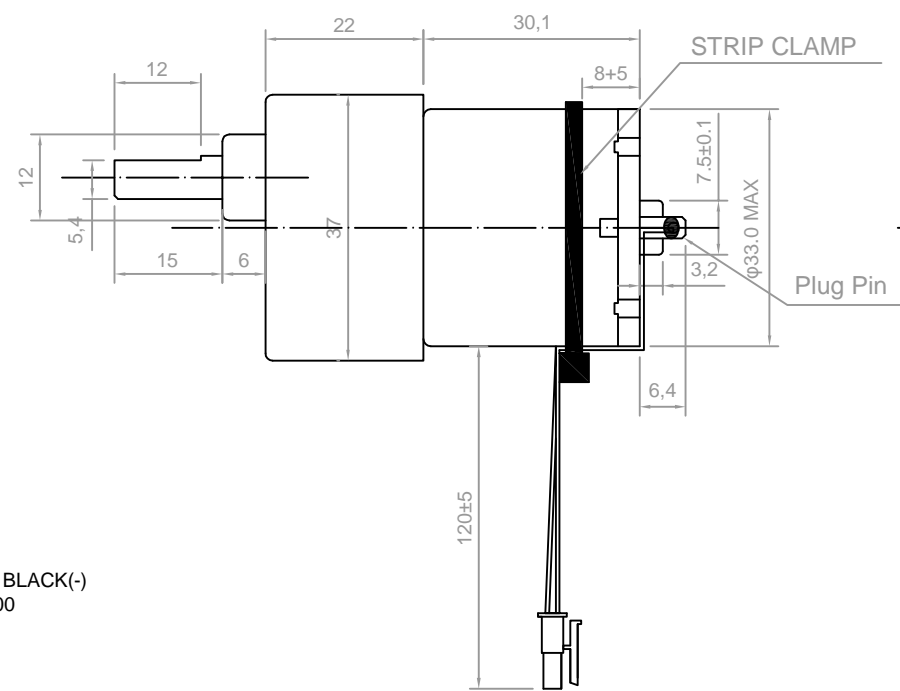
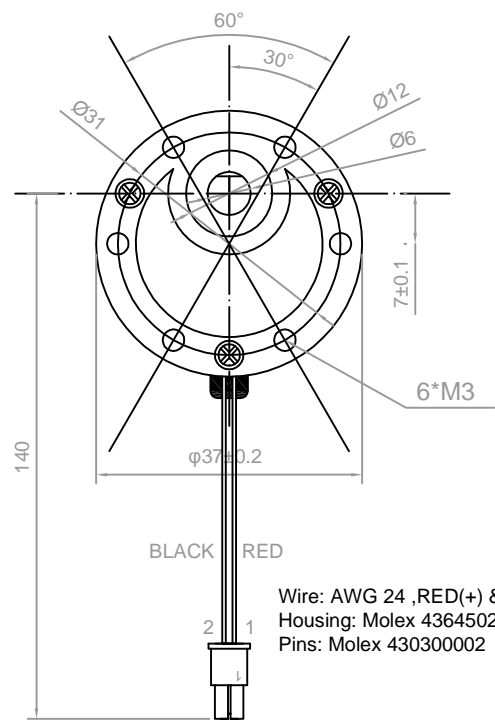


Rev.	Description	Date
01	Release for production	04/22/2016



No.	Item	Specification	No.	Item	Specification
1	Rated Voltage	24V	7	Starting Voltage	2.0V max
2	No Load Current	80mA max	8	Insulation Resistance	20.0 MΩ min
3	No Load Speed	165±10% rpm	9	Starting Torque	9.0 kgf-cm
4	Dirrection of Rotation	CW	10	Starting Current	1800mA max
5	Rated Load Current	200mA max	11	Gear Ratio	30:1
6	Rated Load Speed	145±10% rpm			

Drawn	Bruce	05/10/2016	Unit: mm Kysan Electronics www.kysanelectronics.com info@kysanelectronics.com	
Checked	Tony	05/10/2016		
Eng Appr.				
Mfg Appr.				
Q.A.				
SKU:			Size :A4	Weight(Kg):
1151610			Scale 1:1	