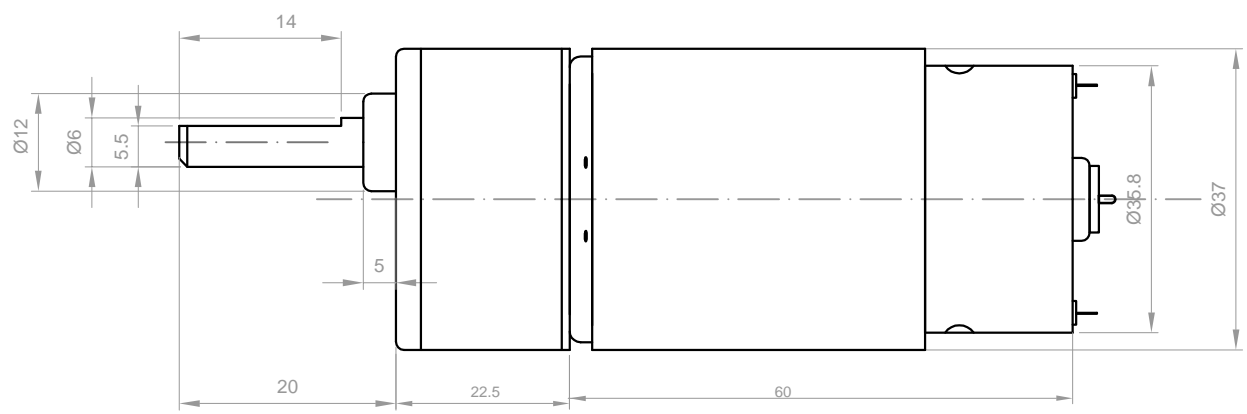
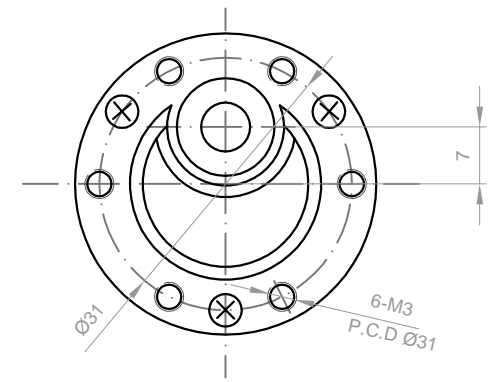


Rev.	Description	Date
00	Release for production	07/14/2014



Direction of Rotation



NO.	Item	Specification	NO.	Item	Specification
1	Rated Voltage	24V			
2	No Load speed	314±10%RPM			
3	Gear Ratio	1:13.48			
4	Rated Speed	300±10%RPM			
5					
6					

Drawn	Lawrence	07/25/2015	Unit: mm	
Checked			<b>Kysan Electronics</b> <a href="http://www.kysanelectronics.com">www.kysanelectronics.com</a> <a href="mailto:info@kysanelectronics.com">info@kysanelectronics.com</a>	
Eng Appr.				
Mfg Appr.				
Q.A.				
SKU	1151913		Size :A4	Weight(Kg):0.435
			Scale 1:1	