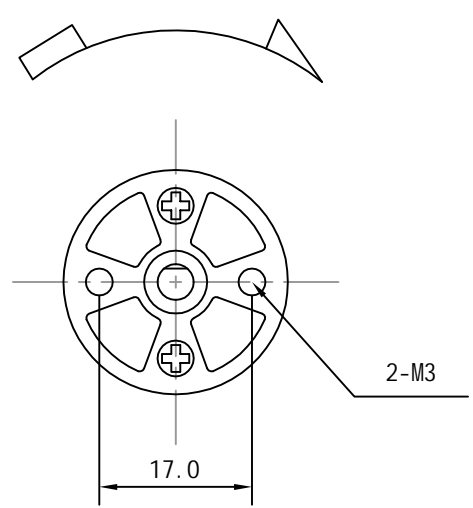


Direction of Rotation



No.	Item	Specification	No.	Item	Specification
1	Rated Voltage	6V DC	7	Gear Ratio	474:1
2	Rated Load	300mN.m	8	Direction Of Rotation	CW
3	No Load Current	≤80mA	9		
4	No Load Speed	10±10% RPM	10		
5	Rated Load Current	≤230mA	11		
6	Rated Load Speed	8±10%RPM			

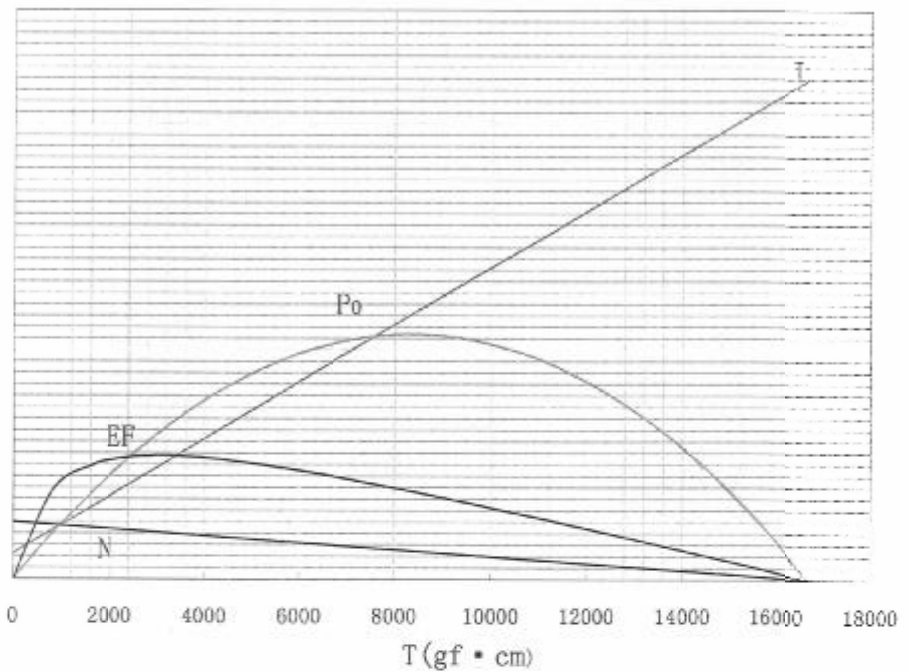
Drawn	Bruce	03/17/2023	Unit: mm	
Checked	Eva	03/17/2023	Kysan Electronics www.kysanelectronics.com	
Eng Appr.				
Mfg Appr.				
Q.A.				
SKU: 1153016			Size :A4	Weight(Kg):
			Scale :	

额定电压: 6VDC

转 向: CW

P_0	EF	I	N
1	100	1000	100
0.5	50	500	50
[W]	[%]	[mA]	r/min

— N: Speed: 转速
— I: Current: 电流
— P: Out power: 输出功率
— EF: Efficiency: 效率



	T (mNm)	(gf. cm)	N (r/min)	I (mA)	P_0 [W]	EF [%]
No. Load... N, I (空载)	0.00	0	10.00	45	0.0	0.00
	49.02	500	9.70	70	0.0	11.84
	98.04	1000	9.40	95	0.1	16.91
	147.06	1500	9.10	120	0.1	19.44
	196.08	2000	8.80	145	0.2	20.75
	245.10	2500	8.50	170	0.2	21.37
Rated... T (负载)	294.12	3000	8.20	195	0.3	21.56
	343.14	3500	7.90	220	0.3	21.48
	392.16	4000	7.60	245	0.3	21.21
	441.18	4500	7.30	270	0.3	20.80
	490.20	5000	7.00	295	0.4	20.28
	539.22	5500	6.70	320	0.4	19.68
	588.24	6000	6.40	345	0.4	19.03
	637.25	6500	6.10	370	0.4	18.32
	686.27	7000	5.80	395	0.4	17.57
	735.29	7500	5.50	420	0.4	16.79
Stop... T (堵转)	1633.99	16667	0.00	878	0.0	0.00
Max... P_0 (最大功率)	816.99	8333	5.00	462	0.4	15.43
Max... EF (最大效率)	301.59	3076	8.15	199	0.3	21.57