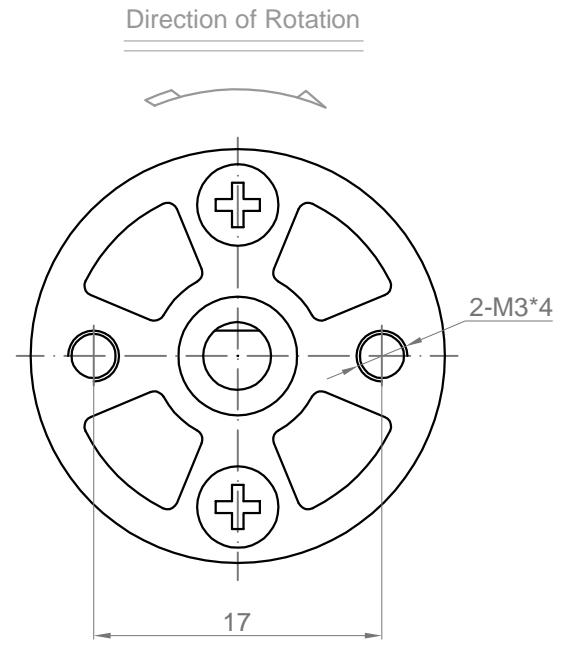
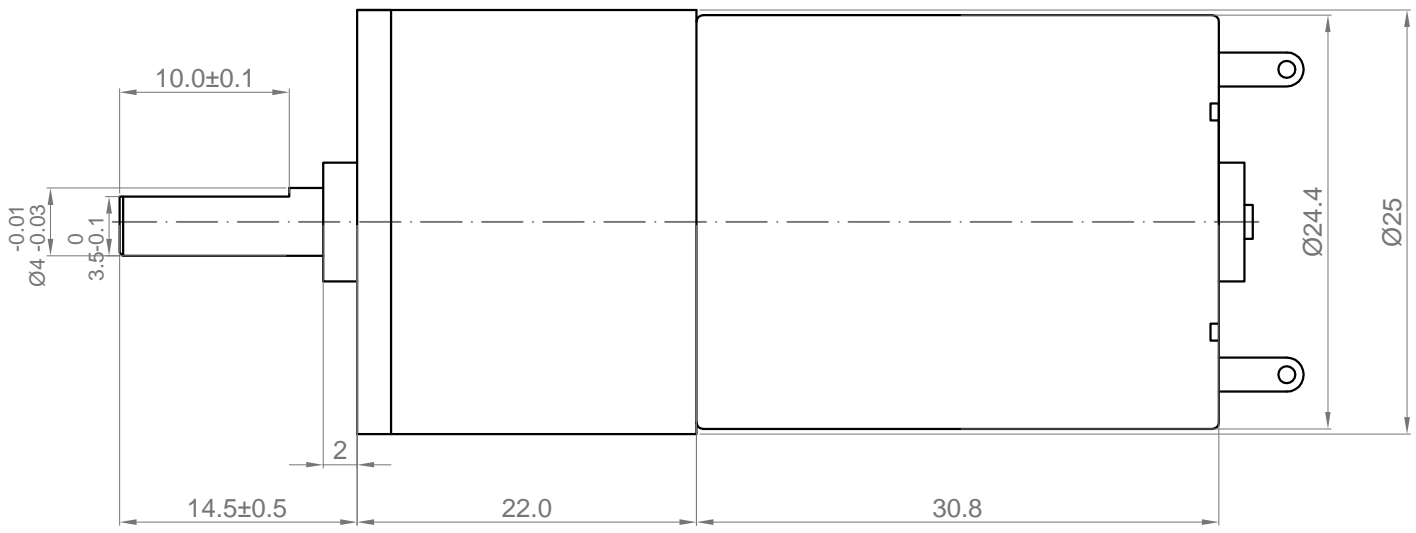


Rev.	Description	Date
01	Release for Production	09/27/2012



NO.	Item	Specification	NO.	Item	Specification
1	Rated Voltage	24 V DC	7	Output Power	1.2 W
2	Rated Load	90 mN.M			
3	No Load Current	0.03 A			
4	No Load Speed	90 RPM±10%			
5	Rated Current	0.12 A			
6	Rated Speed	72 RPM±10%			

Drawn	L	08/10/2016	Kysan Electronics www.kysanelectronics.com info@kysanelectronics.com		
Checked					
Eng Appr.					
Mfg Appr.					
Q.A.					
SKU	1153037		Size : A4	Weight(Kg): 0.5	Unit: mm
			Scale: 5:1		Sheet 1of 1