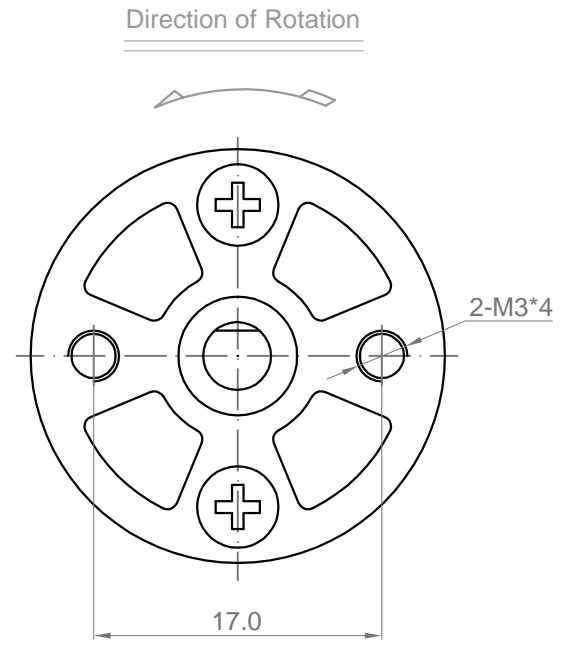
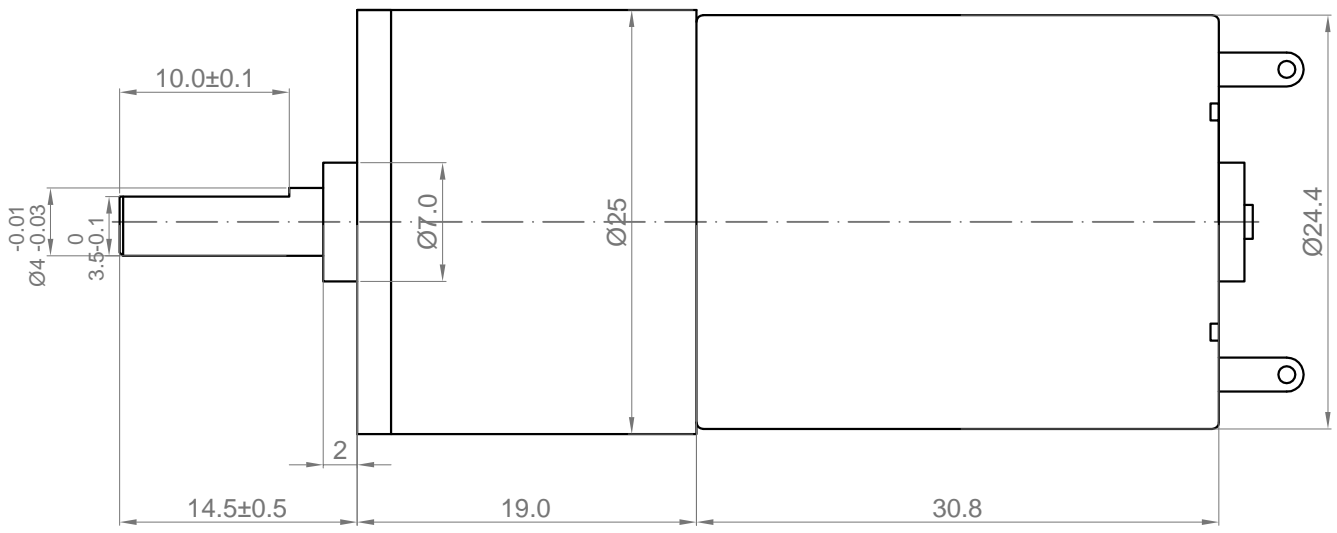


Rev.	Description	Date
01	Release for Production	09/27/2012



NO.	Item	Specification	NO.	Item	Specification
1	Rated Voltage	24 V DC	7	Output Power	1.0 W
2	Rated Load	60 mN.M			
3	No Load Current	0.035 A			
4	No Load Speed	120 RPM±10%			
5	Rated Current	0.1 A			
6	Rated Speed	91 RPM±10%			

Drawn	L	08/10/2016	<b>Kysan Electronics</b> <a href="http://www.kysanelectronics.com">www.kysanelectronics.com</a> <a href="mailto:info@kysanelectronics.com">info@kysanelectronics.com</a>		
Checked					
Eng Appr.					
Mfg Appr.					
Q.A.					
SKU	1153053		Size : A4	Weight(Kg): 0.5	Unit: mm
			Scale: 5:1		Sheet 1of 1