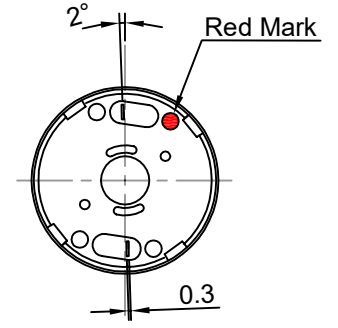
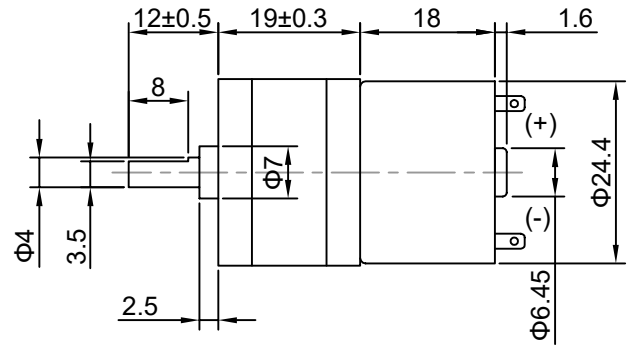
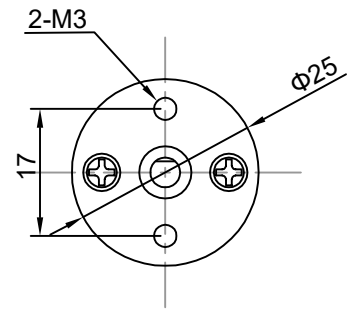


Direction Of Rotation



No.	Item	Specification	No.	Item	Specification
1	Rated Voltage	2.5V DC	7	Rated Torque	200g.cm
2	Geared Ratio	20.4:1	8	Stall Current	3.0A Max
3	No Load Current	350mA Max	9	Stall Torque	900g.cm
4	No Load Speed	410±10%RPM	10	Shaft end play	0.1-0.35mm
5	Rated Load Current	500mA Max			
6	Rated Load Speed	320±10%RPM			

Drawn	Tony	04/14/2026	Unit: mm		
Checked	Eva	04/14/2026	Kysan Electronics www.kysanelectronics.com		
Eng Appr.					
Mfg Appr.					
Q.A.					
SKU: 1153075			Siae: A4	Weight(Kg):	Approx 46.2g
			Scale		