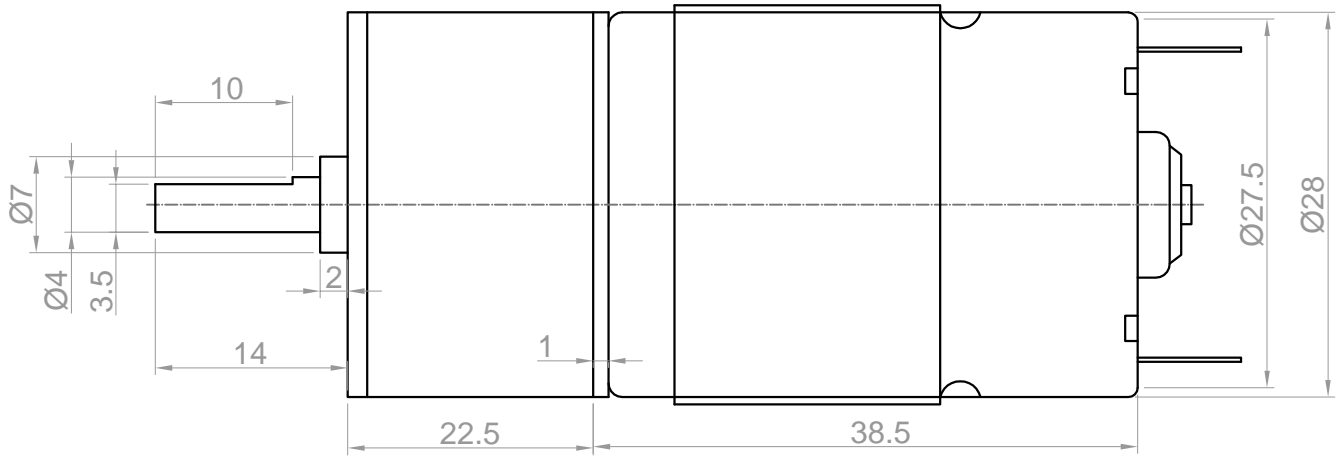
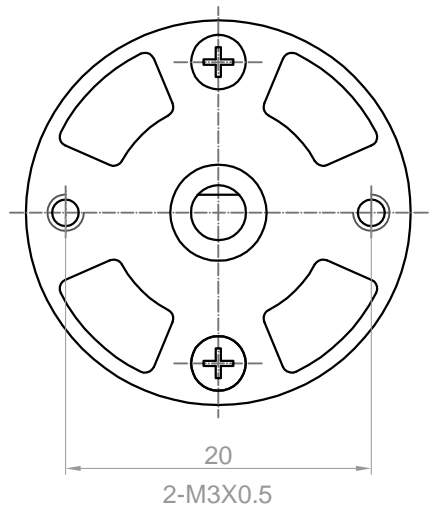


Rev.	Description	Date
00		07/17/2014



DIRECTION OF ROTATION



NO.	Item	Specification	NO.	Item	Specification
1	Rated Voltage	24V	7	Rated Current	0.78A
2	Motor Model	100O			
3	No Load Speed	160RPM			
4	Reduction Ratio	1:62			
5	Rated Speed	112RPM			
6	Rated Torque	2.75Kg.cm			

Drawn	Joseph	07/17/2014
Checked	Lawrence	07/17/2014
Eng Appr.		
Mfg Appr.		
Q.A.		

Unit: mm

Kysan Electronics
www.kysanelectronics.com
info@kysanelectronics.com

SKU	1154064	Size :A4	Weight(Kg):
		Scale 1:1	