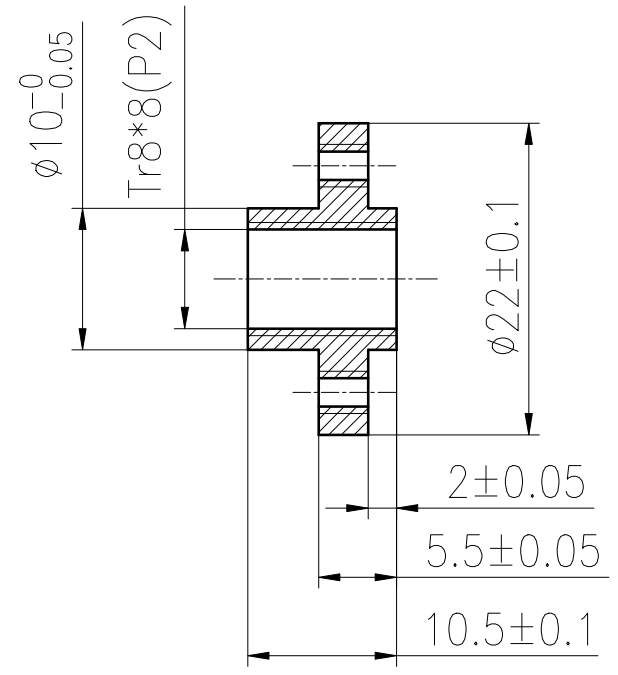
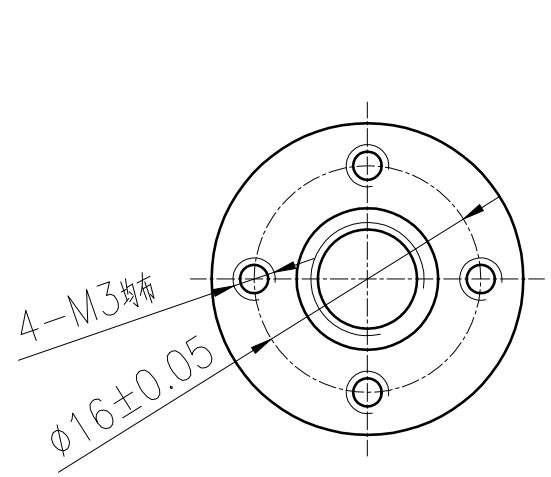


Rev.	Description	Date
01		



技术要求:
 1. 未注倒角0.2*45° ;
 2. 材料:锡青铜;

Drawn	Bruce	09/18/2023	Unit: mm	
Checked	Eva	09/18/2023	Kysan Electronics www.kysanelectronics.com	
Eng Appr.				
Mfg Appr.				
Q.A.				
SKU: 1160015			Size :A4	Weight(Kg):
			Scale	