

NO.	ITEM	SPECIFICATION
1	Rated Voltage	3.0V
2	Current Per Phase	100mA Max
3	Rotate Speed	9000RPM Min
4	Starting Voltage	2.3V Max

Rev.	Revision	Date
01	Update	3/29/2011

D

C

B

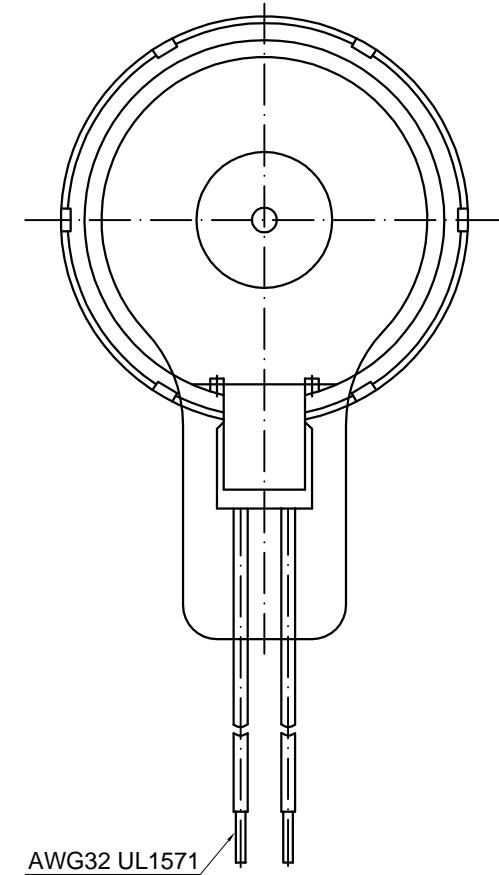
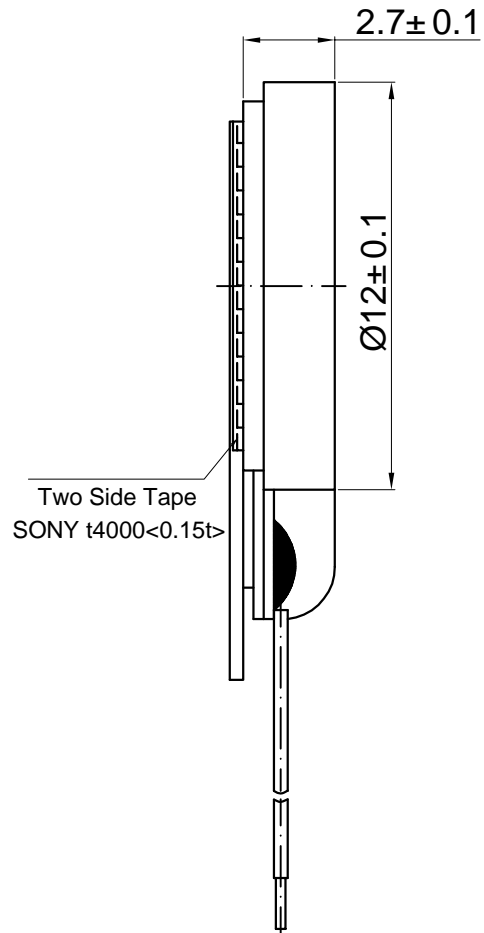
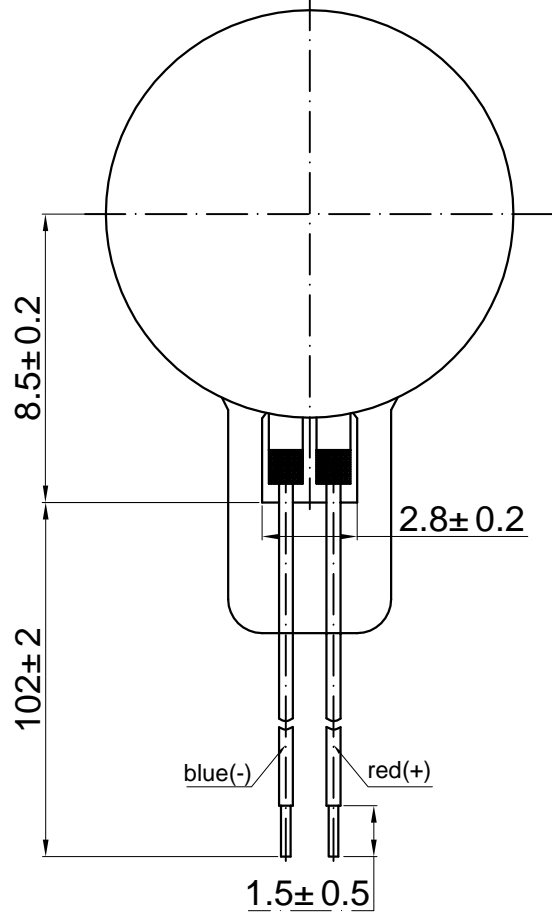
A

D

C

B

A



DRAWN	Andrew	3/29/2011
CHECKED	Sara	3/29/2011
ENG APPR.		
MFG APPR.		
Q.A.		

UNIT: mm

Kysan Electronics

C1227B051F-102

SIZE
A4Kysan SKU
1161021REV
01

SCALE: 10:1

Weight(kg):

SHEET 1 OF 1

8

7

6

5

4

3

2

1