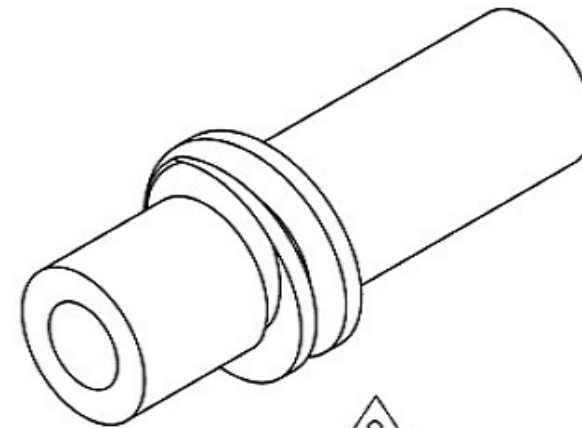


Rev.	Description	Date
01		

NOTES: UNLESS OTHERWISE SPECIFIED.

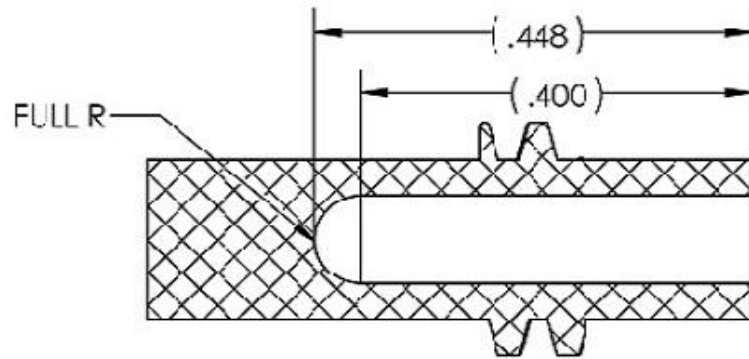
1. DO NOT SCALE DRAWING.
2. INTERPRET PER ASME Y14.5-2009.
3. COMPONENTS AND OR PARTS TO COMPLY WITH EU DIRECTIVE 2011/65/EU (RoHS). A STATEMENT OF COMPLIANCE MUST BE INCLUDED WITH EACH SHIPMENT.
4. MATERIAL AND PROCESS CERTIFICATE IS REQUIRED WITH ALL DELIVERIES.
5. ALL DIMENSION ARE FINISHED DIMENSIONS.
6. MATERIAL: NYLON 66 (PA66), COLOR: NATURAL OR ENGINEERING APPROVED EQUIVALENT
7. FINISH: SPI B-1
8. GATE AND EJECTOR LOCATIONS TO BE APPROVED BY HES ENGINEERING.
9. **FINISH AND INSPECT IN ACCORDANCE WITH 1161099**
 - ① LEVEL 1 - END-USER VISIBLE SURFACES
 - ② LEVEL 2 - INSTALLER VISIBLE SURFACES
 - ③ LEVEL 3 - UNSPECIFIED SURFACES
10. PART SHALL BE FREE OF SPURS, GATES, RISERS, BURRS, FINS, SHARP EDGES, AND FLASH EXCEEDING .010 IN HEIGHT.
11. UNSPECIFIED DRAFTS ARE 1° MAXIMUM.
12. UNSPECIFIED RADII ARE .015 MAXIMUM.
13. PARTS SHALL BE CLEAN AND FREE OF FOREIGN MATERIAL.
14. USE CAD DATA TO REFERENCE PART GEOMETRY. CAD FILE NAME: 3080029.005.SLDPRT.
15. UNSPECIFIED GEOMETRY TO BE WITHIN PROFILE TOLERANCE OF .010 RELATIVE TO SOLID MODEL GEOMETRY.
16. (XX) INDICATES INSPECTION REQUIRED.
17. CPK STUDY REQUIRED FOR CRITICAL DIMENSIONS USING A SAMPLE QUANTITY OF 30 FOR EACH LOT. CPK VALUE SHALL BE 1.3 OR GREATER.



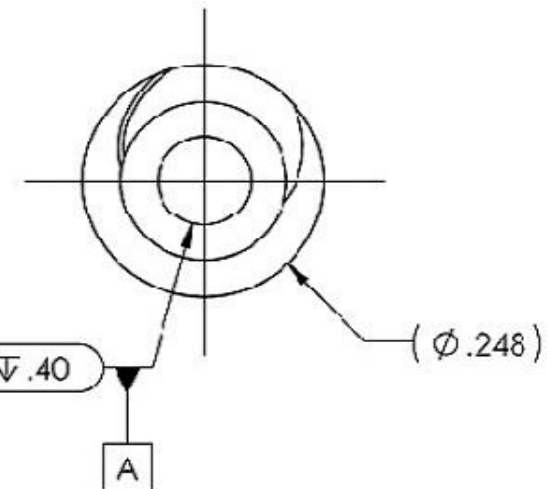
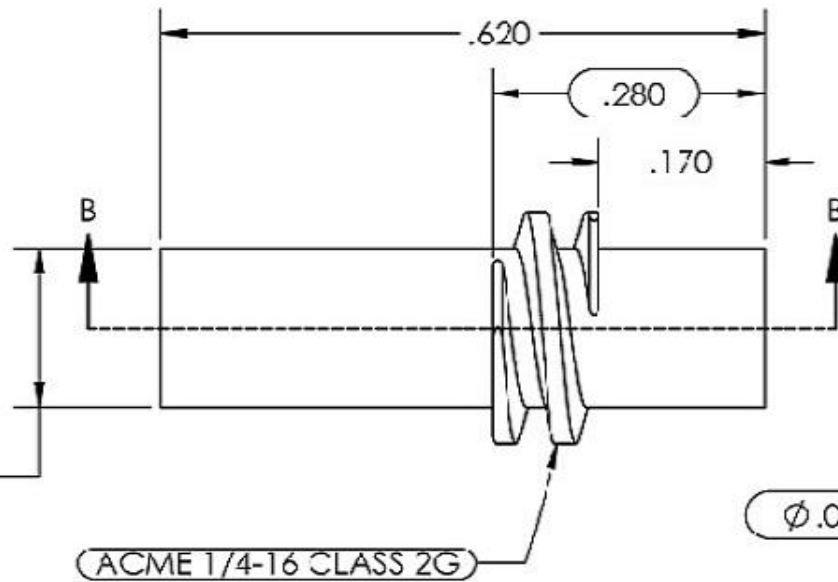

 ALL SURFACES
 LEVEL 3 - UNSPECIFIED SURFACES

Drawn	Bruce	09/09/2020	Unit: mm	
Checked			Kysan Electronics	
Eng Appr.			www.kysanelectronics.com	
Mfg Appr.			info@kysanelectronics.com	
Q.A.				
SKU:		1161099	Size :A4	Weight(g):
			Scale	

Rev.	Description	Date
01		



SECTION B-B



Drawn	Bruce	09/09/2020	Unit: mm	
Checked			Kysan Electronics	
Eng Appr.			www.kysanelectronics.com	
Mfg Appr.			info@kysanelectronics.com	
Q.A.				
SKU:		1161099		Size :A4
				Weight(g):
				Scale