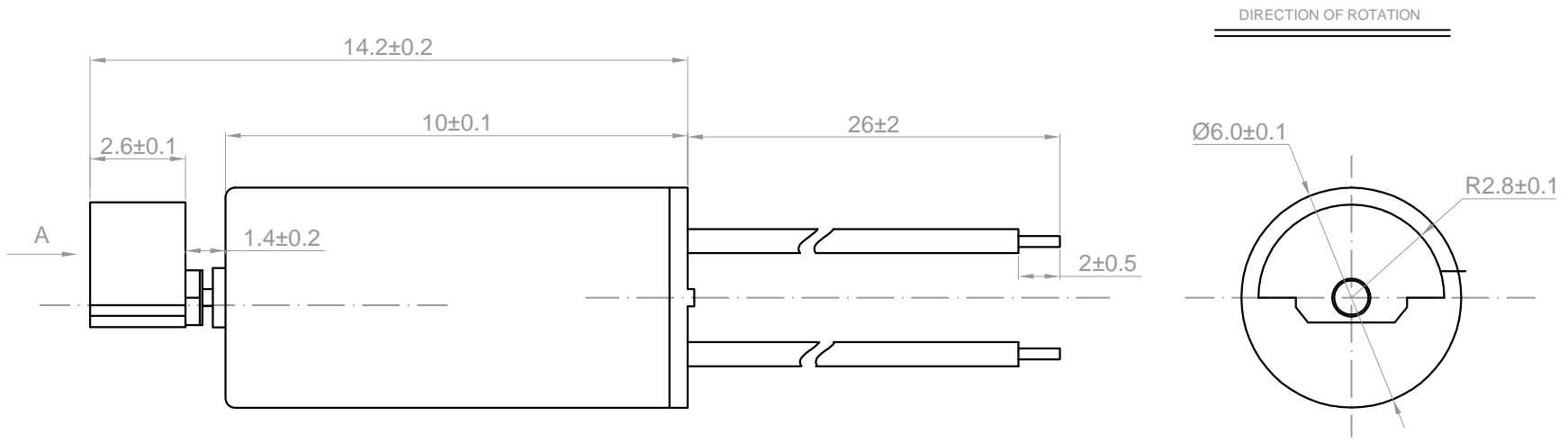


Rev.	Description	Date
01	Release for Production	07/30/2014



NO.	Item	Specification	NO.	Item	Specification
1	Operating Voltage	1.6~3.6 VDC			
2	Rated Voltage	3 VDC			
3	Rated Speed	8500±10%rpm			
4	Rated Current	75mA Max			

Drawn	Lawrence	01/18/2017	Kysan Electronics www.kysanelectronics.com info@kysanelectronics.com		
Checked					
Eng Appr.					
Mfg Appr.					
Q.A.					
SKU	1162010		Size : A4	Weight(Kg):	Unit: mm
			Scale: 2:1		Sheet 1of 1