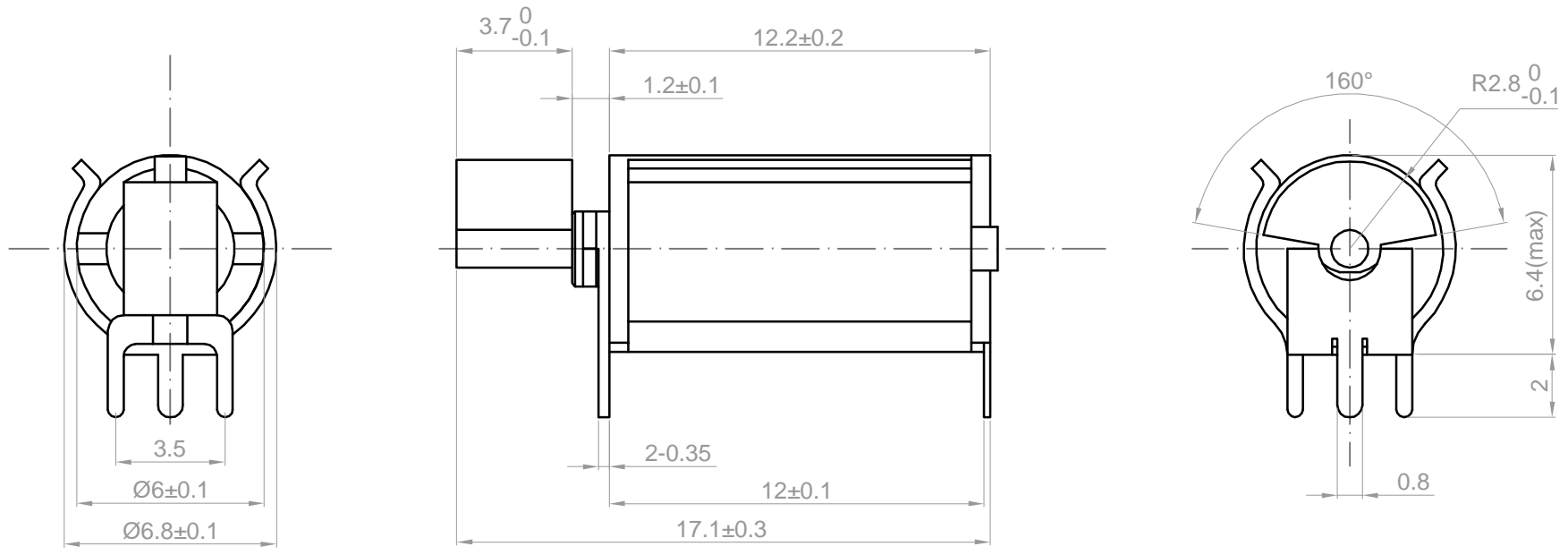


Rev.	Description	Date
01	Release for Production	06/19/2012



Rated Voltage(VDC):3.0
 Rated Current(mA):75
 Operating Voltage (VDC):2.0-3.6
 Rated Speed (RPM):8500
 Lead Length (mm):PC Term
 Motor Size (mm): 6X12.2
 Vibrator Size (mm): R2.8X3.7

Drawn	Feny	06/19/2012
Checked	Sara	06/19/2012
Eng Appr.		
Mfg Appr.		
Q.A.		
SKU	1162013	

Kysan Electronics		
www.kysanelectronics.com		
Email : info@kysanelectronics.com		
Size : A4	Weight(Kg):	Unit: mm
Scale: 10:1		Sheet 1 of 1