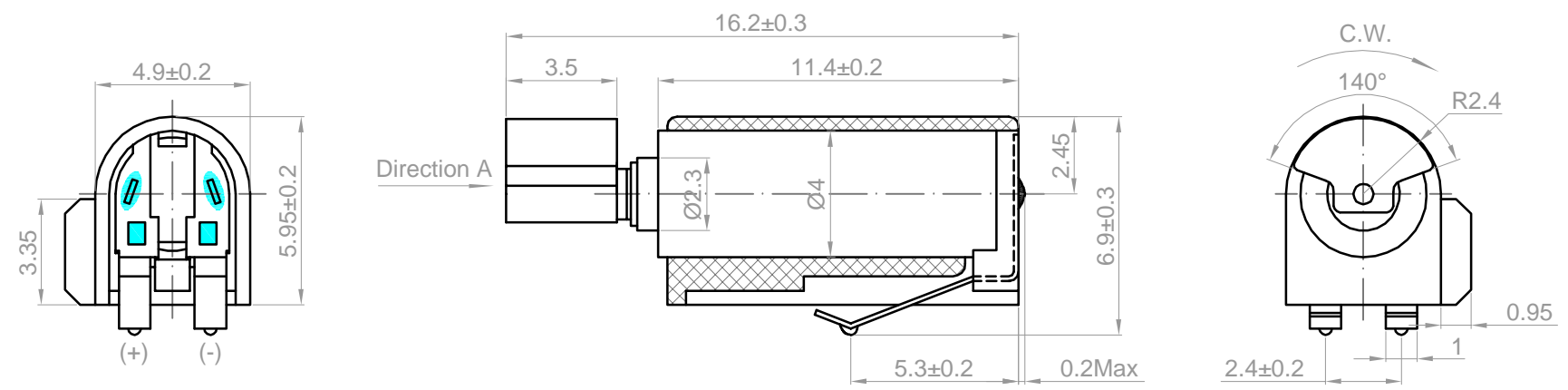
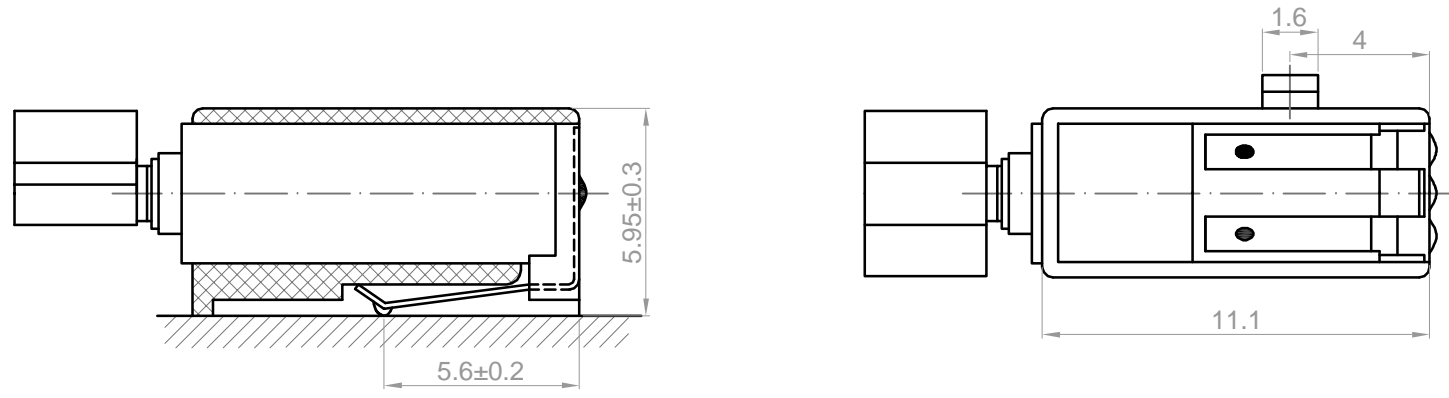


Rev.	Description	Date
01	Release for Production	07/04/2012



NO.	Item	Specification	NO.	Item	Specification
1	Rated Voltage	3.0 V DC	7	Insulation Resistance	1 M Min<100VDC>
2	Rated Current	75 mA Max	8	Operating Voltage	2.2~3.6 VDC
3	Rated Speed	11000 RPM±2500	9	Operating Environment	-30~70 °C±20%
4	Stall Current	105 mA Max	10	Shaft End Play	0.05~0.2 mm
5	Terminal Resistance	36 ±20% <20 ℃			
6	Starting Voltage	1.7 V Max			

Drawn	Feny	07/04/2012
Checked	Sara	07/04/2012
Eng Appr.		
Mfg Appr.		
Q.A.		
SKU	1162019	

Kysan Electronics
www.kysanelectronics.com

info@kysanelectronics.com

Size : A4	Weight(Kg):	Unit: mm
Scale: 10:1		Sheet 1 of 1