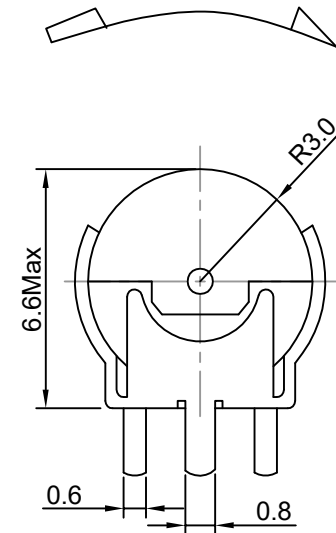


Direction Of Rotation



| No. | Item | Specification | No. | Item | Specification |
|-----|---------------------|---------------|-----|-----------------------|---------------|
| 1 | Rated Voltage | 1.3V DC | 7 | Stall Current | 160mA Max |
| 2 | Voltage Range | 0.8-1.6V DC | 8 | Start Voltage | 0.8V Max |
| 3 | Terminal Resistance | 10Ω ±20% | 9 | Insulation Resistance | 1MΩ Min |
| 4 | Shaft end play | 0.1-0.3mm | 10 | | |
| 5 | Rated Current | 90mA Max | | | |
| 6 | Rated Speed | 7500±2000RPM | | | |

| Drawn | Tony | 04/10/2026 | Unit: mm | | |
|------------------------|------|------------|--|-------------|--|
| Checked | Eva | 04/10/2026 | Kysan Electronics www.kysanelectronics.com | | |
| Eng Appr. | | | | | |
| Mfg Appr. | | | | | |
| Q.A. | | | | | |
| SKU: 1162034 | | | Siae: A4 | Weight(Kg): | |
| | | | Scale | | |