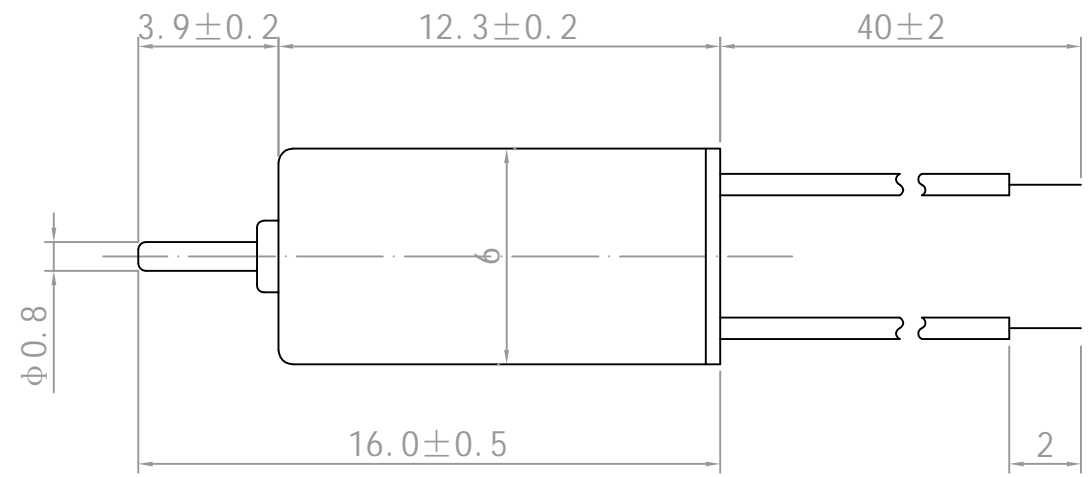
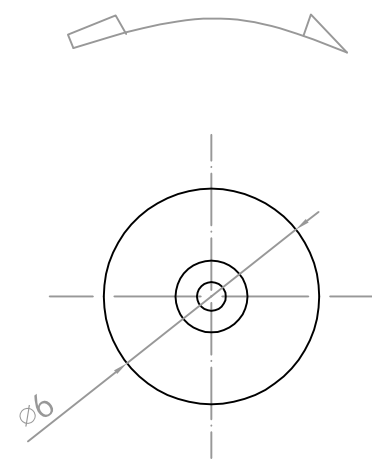


| Rev. | Description | Date |
|------|-------------|------|
| 01 | | |

Direction Of Rotation



| No. | Item | Specification | No. | Item | Specification |
|-----|-------------------|----------------------|-----|-----------------------|---------------|
| 1 | Rated Voltage | 4.5V DC | 7 | Direction Of Rotation | CW |
| 2 | Operating Voltage | 0.9-4.5V DC | | | |
| 3 | Starting Voltage | $\leq 0.8V$ DC | | | |
| 4 | Rated Speed | $50000 \pm 10\%$ rpm | | | |
| 5 | Rated Current | $\leq 70mA$ | | | |
| 6 | Stall Current | $\leq 750mA$ | | | |

| | | | | |
|------------------------|-------|------------|---------------------------|-------------|
| Drawn | Bruce | 05/09/2019 | Unit: mm | |
| Checked | | | Kysan Electronics | |
| Eng Appr. | | | www.kysanelectronics.com | |
| Mfg Appr. | | | info@kysanelectronics.com | |
| Q.A. | | | | |
| SKU: 1162046 | | | Size :A4 | Weight(Kg): |
| | | | Scale 5:1 | |