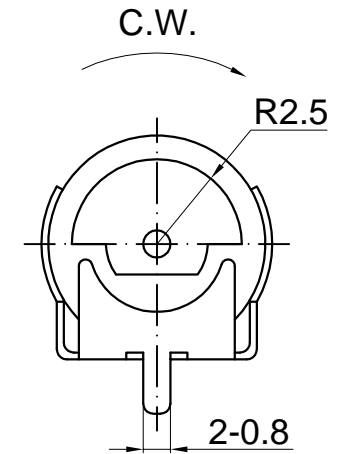
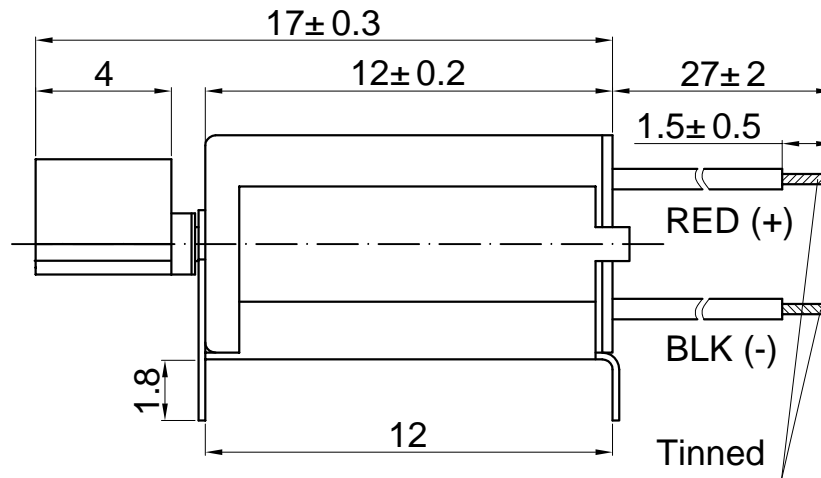
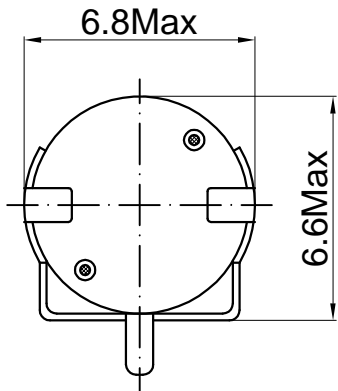


NO.	ITEM	SPECIFICATION
1	Rated Voltage	1.3V
2	Current Per Phase	85mA Max
3	Rotate Speed	8500+2000rpm
4	Stall current	160mA Max
5	Terminal resistance	10±20%Ω
6	Starting Voltage	0.75V Max
7	Shaft end play	0.1-0.3mm
8	Lead wire spce	30AWG
9	Unmarked tolerance	+0.1mm

Rev.	Revision	Date
01	Update	3/23/2011



DRAWN	Kevin	3/23/2011
CHECKED	Sara	3/23/2011
ENG APPR.		
MFG APPR.		
Q.A.		

Z6DL2A0050441

UNIT: mm

Kysan Electronics

SIZE
A4

Kysan SKU
1162052

REV
01

SCALE: 10:1

Weight(kg):

SHEET 1 OF 1