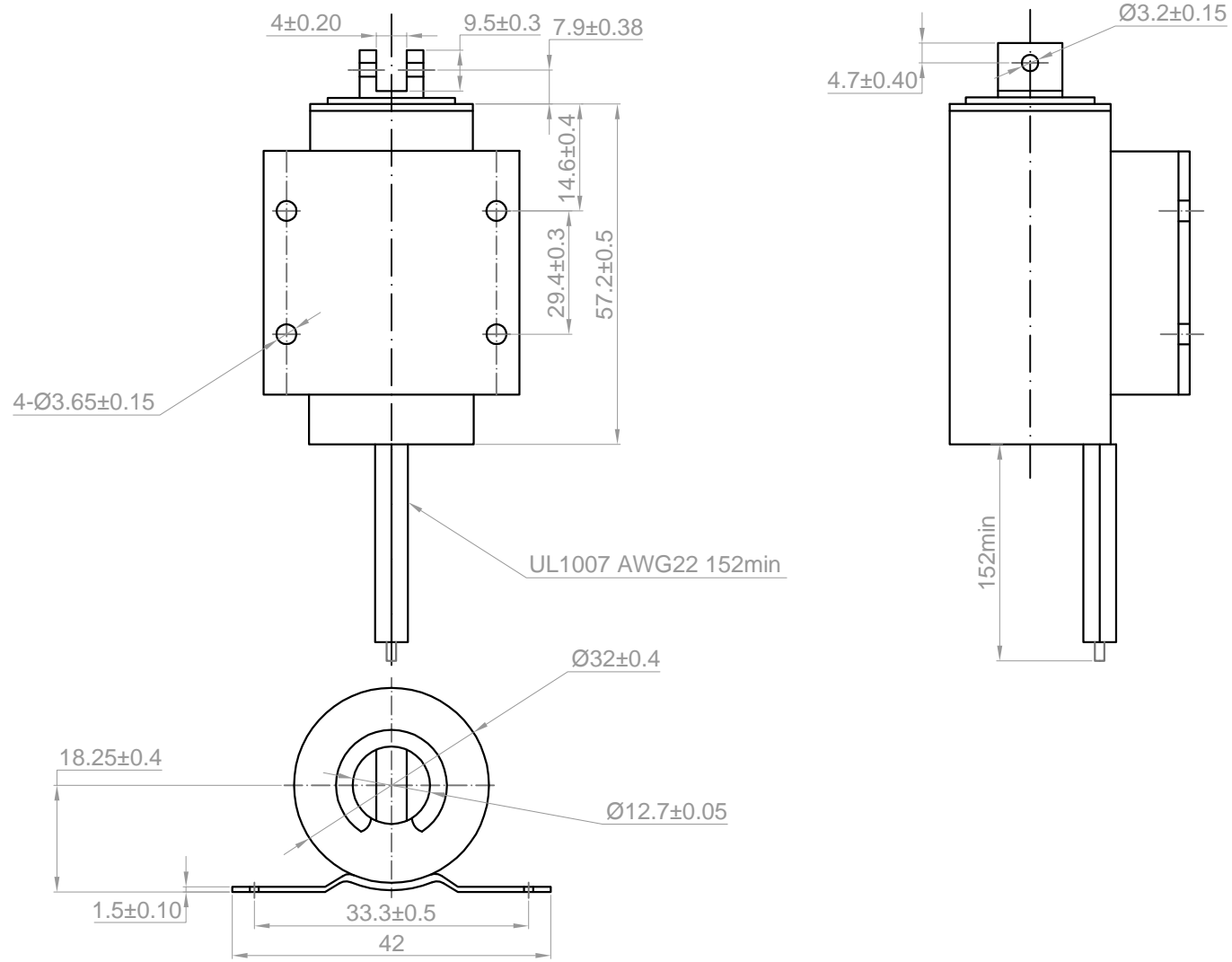


Rev.	Description	Date
01	Release for Production	08/04/2014



NO.	Item	Specification	NO.	Item	Specification
1	Voltage	24V DC			
2	Current	0.55A			
3	Wattage	13W			
4	DC Resistance	44 Ω ±5%			
5	Duty Cycle	100%			
6	Insulation Class	Class B			

Drawn	Joseph	08/04/2014
Checked	Lawrence	08/04/2014
Eng Appr.		
Mfg Appr.		
Q.A.		
SKU	1211013	

Kysan Electronics
www.kysanelectronics.com

info@kysanelectronics.com

Size : A4	Weight(Kg): 1.1	Unit: mm
Scale: 2:1		Sheet 1of 1

8 7 6 5 4 3 2 1

8 7 6 5 4 3 2 1