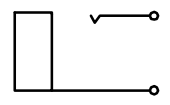
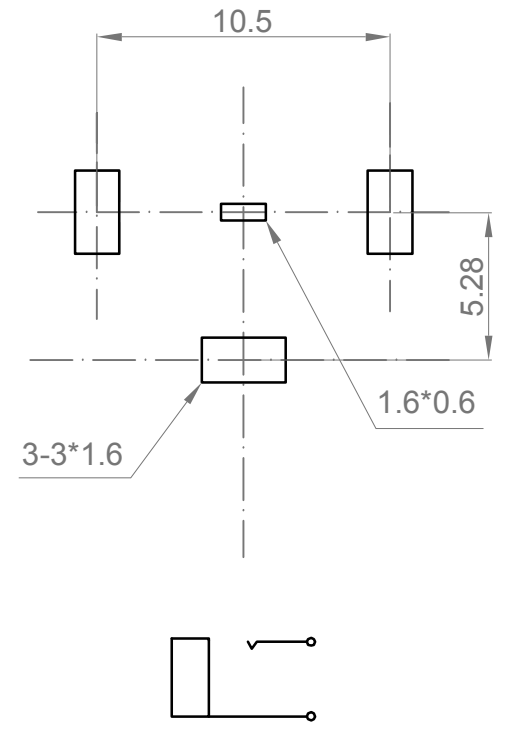
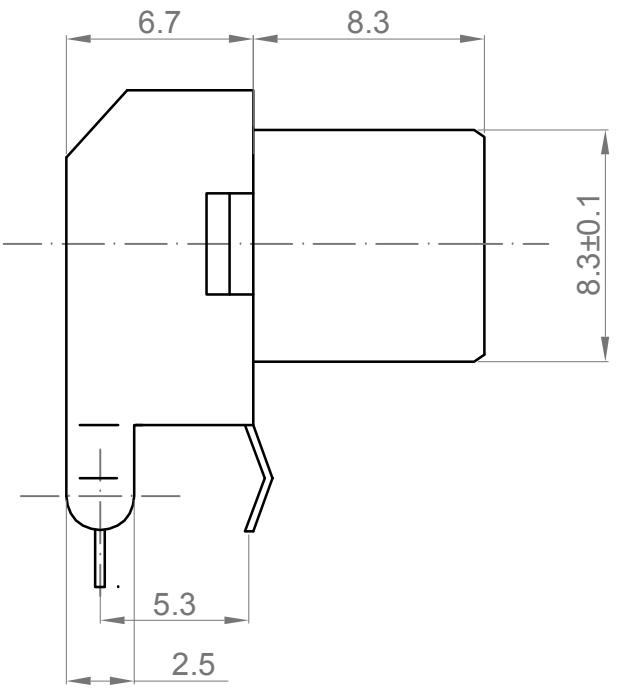
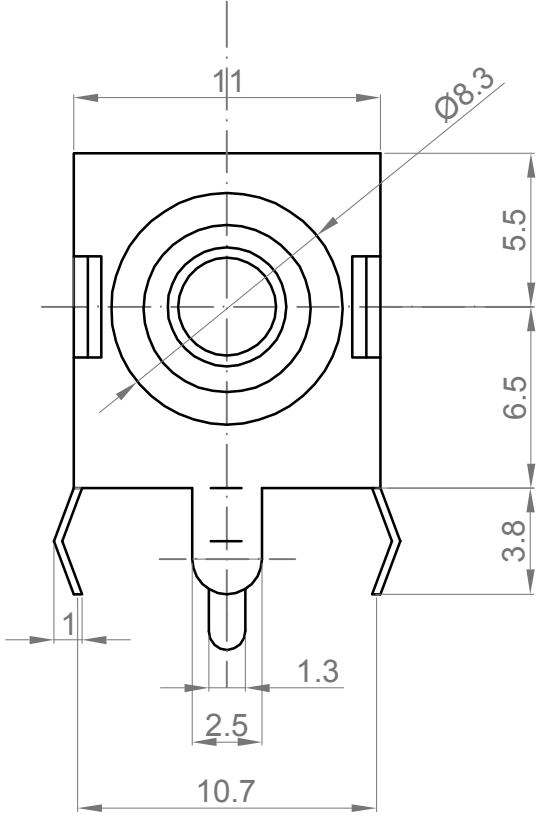


Rev.	Description	Date
01	Release for production	6/08/2012



Note:
 1. Rated Voltage: 50V
 2. Rated Current: 0.2A
 3. Contact Resistance: $\leq 0.3\Omega$
 4. Insertion Force: 5~35N

Drawn	Lucy	6/08/2012	Kysan Electronics www.kysanelectronics.com Email : info@kysanelectronics.com		
Checked	Sara	6/08/2012			
Eng Appr.					
Mfg Appr.					
Q.A.					
SKU	1230024		Size : A4	Weight(Kg):	Unit: mm
			Scale: 8:1		Sheet 1 of 1