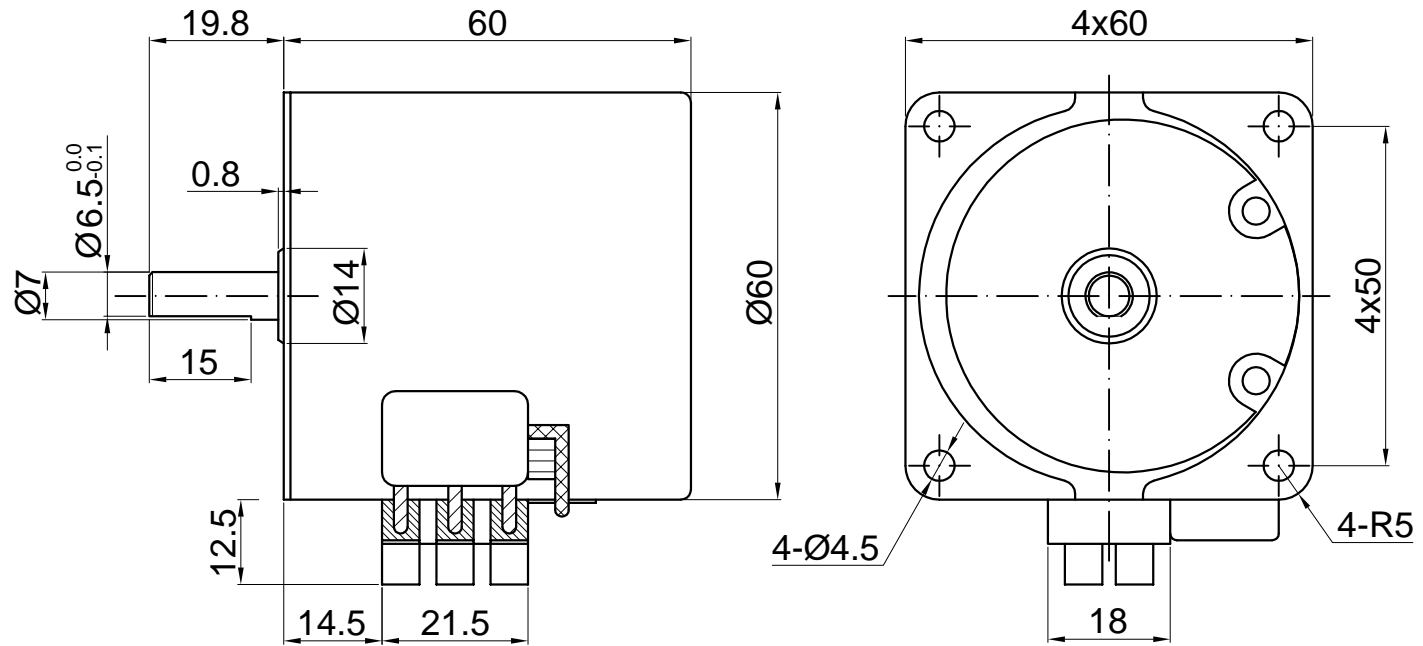


NO.	ITEM	SPECIFICATION
1	Voltage	220V
2	Frequency	50HZ
3	Input Power	≤14W
4	Input Current	≤55mA
5	Starting Voltage	220±15%V
6	Temperature Rise	≤60K
7	Voise Level	≤45dB
8	Rotation Direction	CW/CCW/Controllable
9	Dimension	60x60
10	Rated Speed	15RPM
11	Torque	10kgf.cm

Rev.	Revision	Date
01	Update	4/20/2011



DRAWN	Kevin	4/20/2011
CHECKED	Sara	4/20/2011
ENG APPR.		
MFG APPR.		
Q.A.		

UNIT: mm

Kysan Electronics

60KTYZ-1-220V15RPM

SIZE
A4

Kysan SKU
1311036

REV
01

SCALE: 2:1

Weight(kg):

SHEET 1 OF 1