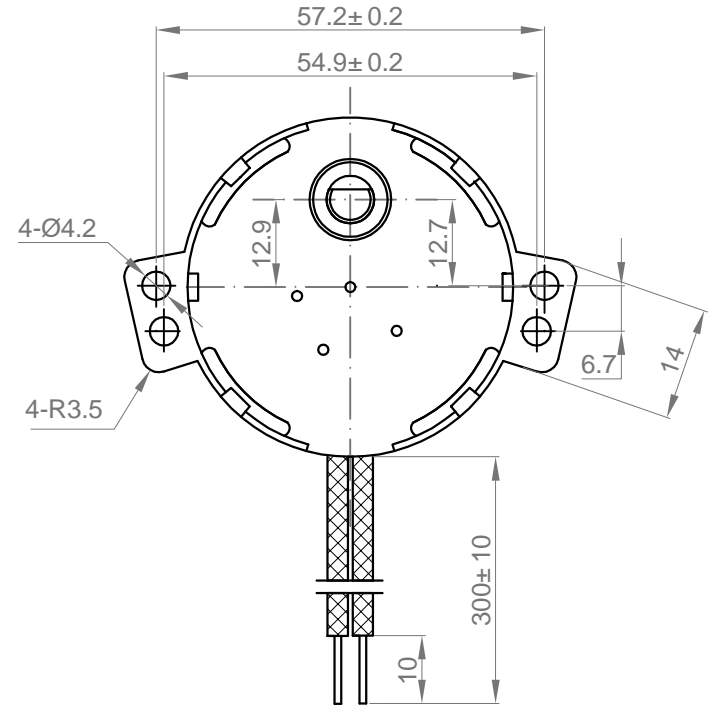
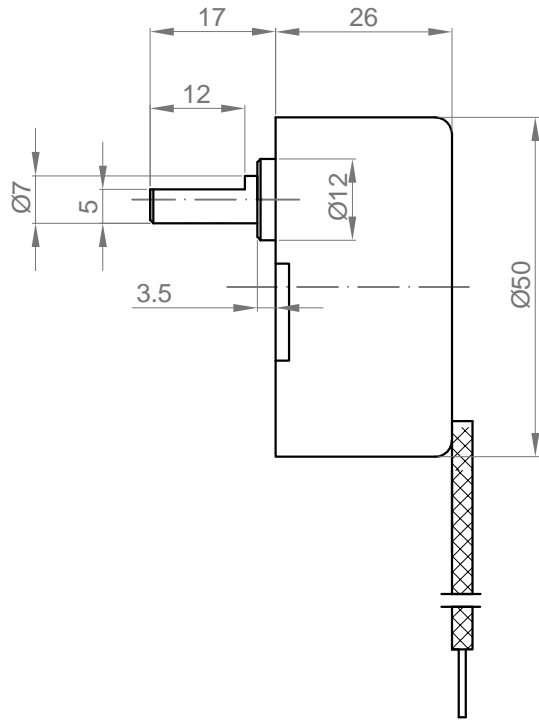


Rev.	Description	Date
01	Release	12/21/2011



NO.	ITEM	SPECIFICATION	NO.	ITEM	SPECIFICATION
1	Rated Voltage	220 VAC	7	Temperature Rise	60K Max
2	Rated Speed	3 RPM	8	Rotation Direction	CW
3	Input Power	4 W MAX	9	Run Model	Continuous
4	Input Current	25mA MAX	10		
5	Rated Torque	10Kgf.cm	11		
6	Rated Frequency	60 Hz	12		

DRAWN	Emily	12/21/2011
CHECKED	Sara	12/21/2011
ENG APPR.		
MFG APPR.		
Q.A.		
SKU	1311071	

UNIT: mm		
Kysan Electronics		
SIZE A4	Email to info@kysanelectronics.com	REV 01
SCALE: 2:1	Weight(kg): 0.5	SHEET 1 OF 1